



City of Chicago



O2015-3087

Office of the City Clerk

Document Tracking Sheet

Meeting Date:	4/15/2015
Sponsor(s):	Smith (43)
Type:	Ordinance
Title:	Grant(s) of privilege in public way for Soulcycle - sign
Committee(s) Assignment:	Committee on Transportation and Public Way

ORDINANCE
SOULCYCLE
Acct. No. 394858 - 1
Permit No. 1116674

Be It Ordained by the City Council of the City of Chicago:

SECTION 1. Permission and authority are hereby given and granted to SOULCYCLE, upon the terms and subject to the conditions of this ordinance to maintain and use one (1) sign(s) projecting over the public right-of-way attached to its premises known as 1225 N. Wells St..

Said sign structure(s) measures as follows; along Wells:

One (1) at thirteen point one seven (13.17) feet in length, one point five (1.5) feet in height and fourteen (14) feet above grade level.

The location of said privilege shall be as shown on prints kept on file with the Department of Business Affairs and Consumer Protection and the Office of the City Clerk

Said privilege shall be constructed in accordance with plans and specifications approved by the Department of Transportation (Division of Project Development) and Zoning Department- Signs.

This grant of privilege in the public way shall be subject to the provisions of Section 10-28-015 and all other required provisions of the Municipal Code of Chicago.

The grantee shall pay to the City of Chicago as compensation for the privilege #1116674 herein granted the sum of one hundred (\$100.00) per annum in advance.

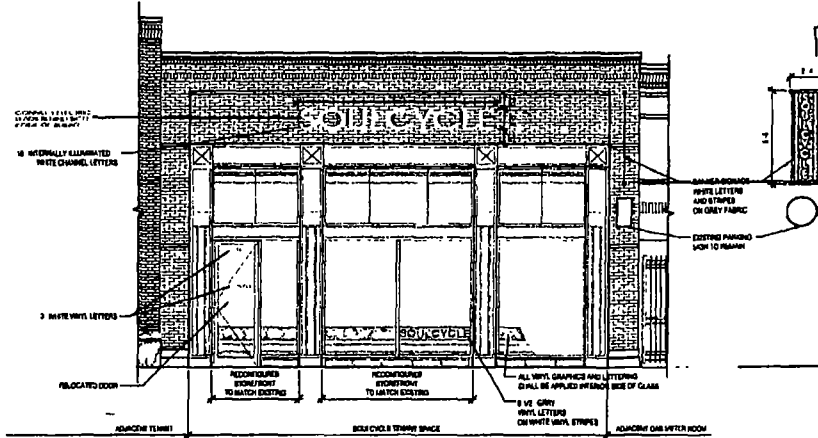
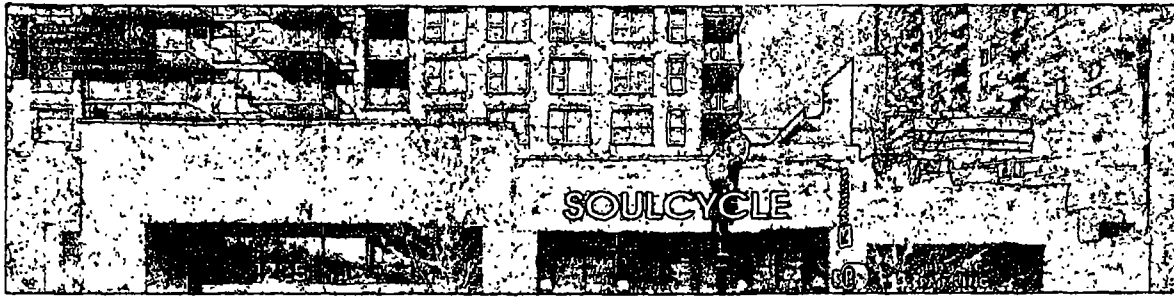
A 25% penalty will be added for payments received after due date

The permit holder agrees to hold the City of Chicago harmless for any damage, relocation or replacement costs associated with damage, relocation or removal of private property caused by the City performing work in the public way.

Authority herein given and granted for a period offive (5) years from and after Date of Passage.

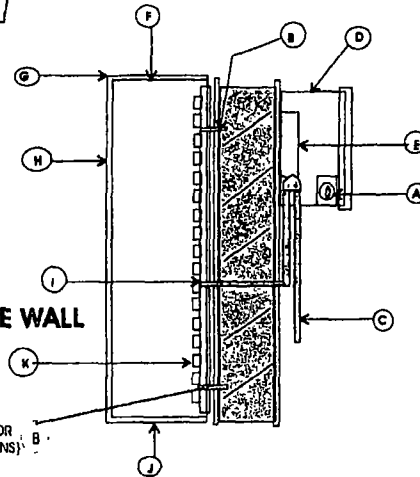
Alderman 

Michele Smith 43rd Ward



LEGEND		
	YELLOW VINYL FILM APPLIED TO INTERIOR FACE OF SIGN FRONT. PAINT YELLOW C	
	WHITE VINYL FILM APPLIED TO INTERIOR FACE OF SIGN FRONT OR INTERNALLY ILLUMINATED LETTERS WITH WHITE PAINTED ALUMINUM SIGN MOUNTING PAINT WHITE	
	GRAY VINYL FILM APPLIED TO INTERIOR FACE OF SIGN FRONT OR GRAY GRAPHIC FINISH	

- A listed disconnect switch
- B fasteners as req'd
- C primary electrical source
- D metal box to house power supply
- E electronic power supply
- F 5" (0.063) alum returns
- G 1" trim cap
- H 3/16" thick plex face white #7328
- I Pb3 or black plastic bushings
- J weep holes
- K GE power white L.E.D. Lights



SIDE VIEW
CHANNEL LETTER FLUSH MOUNTED TO THE WALL

3/8" IDA S.S. MOUNTING ANCHOR (TYPE T.B.D. PER WALL CONDITIONS) THROUGH BOLT WHEN POSSIBLE

ACCEPTANCE AUTHORIZATION	DATE
CUSTOMER APPROVAL	DATE
SALES REPRESENTATIVE	DATE

THE UNDERSIGNED HEREBY ACCEPTS THE DESIGN AND CONSTRUCTION OF THE ABOVE DESCRIBED WORK AND ASSUMES THE RESPONSIBILITY OF THE DESIGN.

DIVISION OF TURK ELECTRIC
 DESIGN * ENGINEERING * MANUFACTURING
 INSTALLATION * SERVICE * MAINTENANCE
 3434 N. CEDENO AVENUE
 CHICAGO, IL 60641
 773-766-7600
 6457878000@TURKELECTRIC.COM