



City of Chicago



O2015-465

Office of the City Clerk

Document Tracking Sheet

Meeting Date:	1/21/2015
Sponsor(s):	Waguespack (32)
Type:	Ordinance
Title:	Awning(s) for Papa John's Pizza
Committee(s) Assignment:	Committee on Transportation and Public Way

ORDINANCE
PAPA JOHN'S PIZZA
Acct. No. 391523 - 7
Permit No. 1116493

Be It Ordained by the City Council of the City of Chicago:

SECTION 1. Permission and authority are hereby given and granted to PAPA JOHN'S PIZZA, upon the terms and subject to the conditions of this ordinance to construct, install, maintain and use one (1) Awning(s) projecting over the public right-of-way adjacent to its premises known as 907 N. Damen Ave..

Said Awning(s) at N. Damen Avenue measure(s):

One (1) at three point three three (3.33) feet in length, and two point zero eight (2.08) feet in width for a total of six point nine three (6.93) square feet.

The location of said privilege shall be as shown on prints kept on file with the Department of Business Affairs and Consumer Protection and the Office of the City Clerk.

Said privilege shall be constructed in accordance with plans and specifications approved by the Zoning Department - Signs.

This grant of privilege in the public way shall be subject to the provisions of Section 10-28-015 and all other required provisions of the Municipal Code of Chicago.

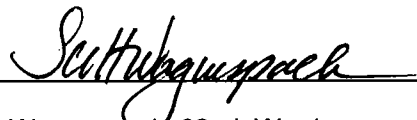
The grantee shall pay to the City of Chicago as compensation for the privilege #1116493 herein granted the sum of fifty (\$50.00) per annum in advance.

A 25% penalty will be added for payments received after due date.

The permit holder agrees to hold the City of Chicago harmless for any damage, relocation or replacement costs associated with damage, relocation or removal of private property caused by the City performing work in the public way.

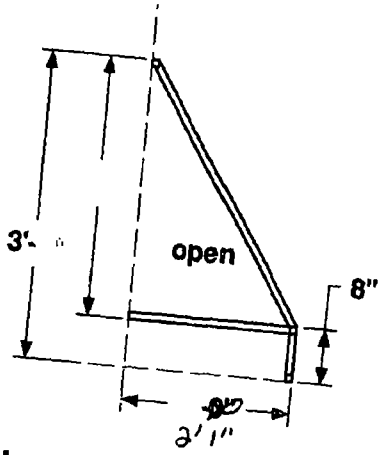
Authority herein given and granted for a period of five (5) years from and after Date of Passage.

Alderman

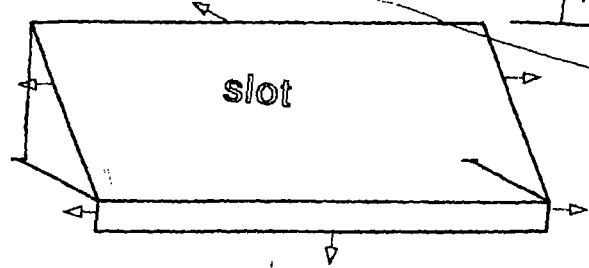
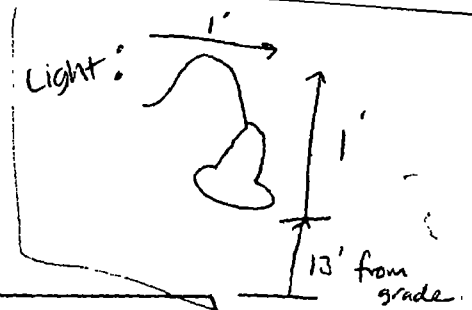


Scott Waguespack 32nd Ward

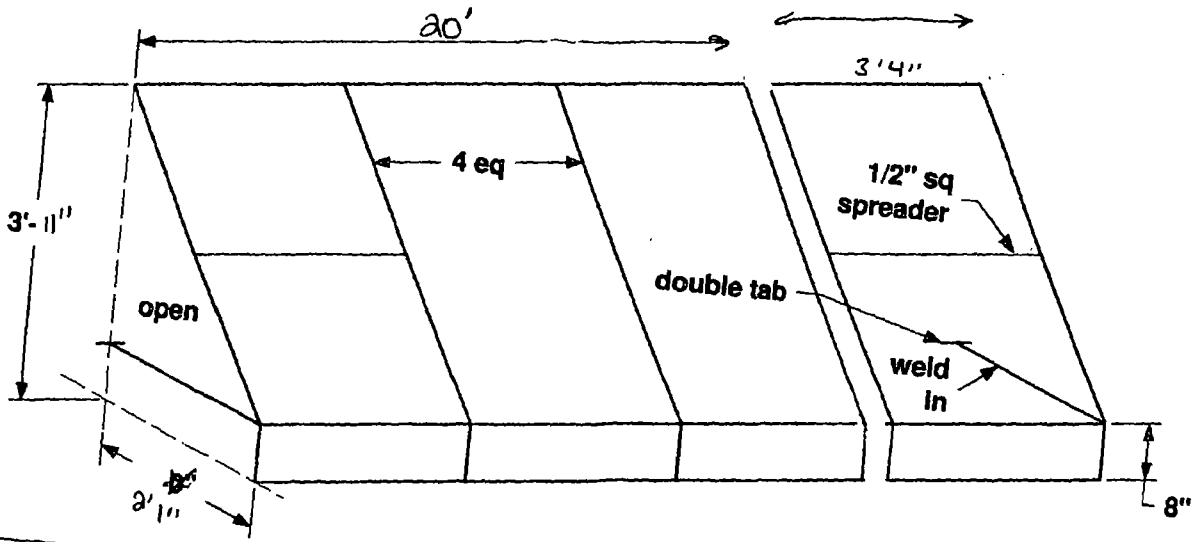
Side view



- Notes:**
- alum staple frames (2)
 - welded construction
 - tubing as noted - 1 inch
 - silver frame finish



Iso view , N101 / N102





Department of Business Affairs and Consumer Protection
Small Business Center - Public Way Use Unit
City Hall - 121 N LaSalle Street, Room 800 • Chicago, IL 60602
312-74-GOBIZ / 312-744-6249 • (312) 744-1944 (TTY)
<http://www.cityofchicago.org/bacp>

01/21/2015

Alderman Scott Waguespack
Ward # 32
City of Chicago
City Hall, Room 300
121 North LaSalle Street
Chicago, Illinois 60602

Re: An ordinance to use and maintain a portion of the public right-of-way for **one (1) awning(s)** for **PAPA JOHN'S PIZZA**, adjacent to the premises known as **907 N. Damen Ave.**

Dear Alderman **Scott Waguespack**:

The applicant referenced above has requested the use of the public right-of-way for a **awning(s)**. An ordinance has been prepared by the Department of Business Affairs and Consumer Protection – Small Business Center - Public Way Use Unit for presentation to the City Council. Because this request was made for properties located in your ward, as approved by you as per the attached, I respectfully request that you introduce the attached ordinance at the next City Council meeting.

If you have any questions regarding this ordinance, please contact Anthony Bertuca at (312) 744-5506.

Department of Business Affairs and Consumer Protection