



City of Chicago



O2017-3739

Office of the City Clerk

Document Tracking Sheet

Meeting Date: 5/18/2017
Sponsor(s): Reilly (42)
Type: Ordinance
Title: Grant(s) of privilege in public way for Soulcycle - sign
Committee(s) Assignment: Committee on Transportation and Public Way

ORDINANCE
SOULCYCLE
Acct. No. 395319 - 1
Permit No. 1117684

Be It Ordained by the City Council of the City of Chicago:

SECTION 1. Permission and authority are hereby given and granted to SOULCYCLE, upon the terms and subject to the conditions of this ordinance to maintain and use one (1) sign(s) projecting over the public right-of-way attached to its premises known as 111 W. Wacker Dr..

Said sign structure(s) measures as follows; along W WACKER:

One (1) at twelve point five eight (12.58) feet in length, one point five (1.5) feet in height and twenty-eight (28) feet above grade level.

The location of said privilege shall be as shown on prints kept on file with the Department of Business Affairs and Consumer Protection and the Office of the City Clerk.

Said privilege shall be constructed in accordance with plans and specifications approved by the Department of Transportation (Division of Project Development) and Zoning Department - Signs.

This grant of privilege in the public way shall be subject to the provisions of Section 10-28-015 and all other required provisions of the Municipal Code of Chicago.

The grantee shall pay to the City of Chicago as compensation for the privilege #1117684 herein granted the sum of one hundred (\$100.00) per annum in advance.

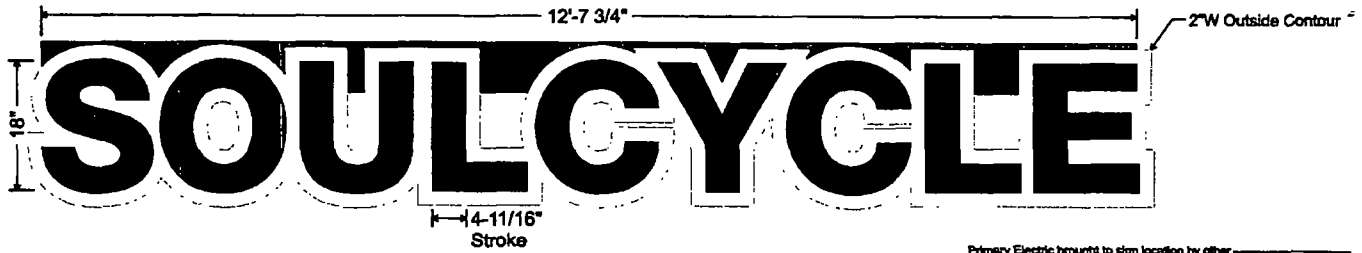
A 25% penalty will be added for payments received after due date.

The permit holder agrees to hold the City of Chicago harmless for any damage, relocation or replacement costs associated with damage, relocation or removal of private property caused by the City performing work in the public way.

Authority herein given and granted for a period of five (5) years from and after Date of Passage.

Alderman _____

Brendan Reilly 42nd Ward



5" Deep fabricated reverse channel letters with .125 aluminum faces and welded .063 returns. Attached to .1875 clear polycarb backs with round-head pan screws secured through returns, Cans & Hardware painted satin white

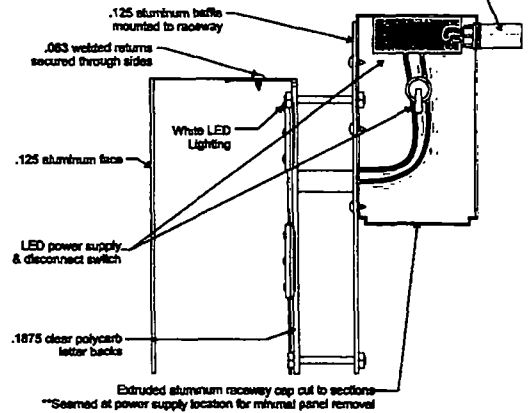
Projection mounted through polycarb backs with 2" painted white spacers to common .125 aluminum baffle painted Satin White (front and back painted)

White LED lighting attached to clear polycarb backs for halo-effect lighting, wired back into common extruded aluminum raceway - 7"H x 4-1/2" Deep raceway.

Baffle attached with sheet metal screws and additional stiffeners as required to increase rigidity of baffle Letters mechanically mounted with painted hardware through baffle and secured with nuts and washers

Raceway inverted to contain power supplies and maintenance access. Painted std satin Black Attached through base into overhead canopy - See Following Detail

Primary Electric brought to sign location by other
Opt 1 - Into back of raceway, Opt 2 from canopy down into "top" of raceway



Option 2 - Black Letters/White Baffle

Halo Lit Reverse Channel Letters
1" = 1"

SOUTH WATER
SIGNS

934 N Church
Elmhurst, IL 60126

tel: 630 333 4900
fax: 630 333 4915

PROJECT Soucycle	PROJECT NAME Exterior Illuminated Main ID 111 W Wacker Chicago IL	DATE 12 22 14	REVISED IF 01 09 15 01 20 15 01 30 15	
CUSTOMER APPROVAL	TRACKER NUMBER 7010780	SCALE BY m		



Department of Business Affairs and Consumer Protection
Small Business Center - Public Way Use Unit
City Hall - 121 N. LaSalle Street, Room 800 • Chicago, IL 60602
312-74-GOBIZ / 312-744-6249 • (312) 744-1944 (TTY)
<http://www.cityofchicago.org/bacp>

04/19/2017

Alderman **Brendan Reilly**
Ward # 42
City of Chicago
City Hall, Room 300
121 North LaSalle Street
Chicago, Illinois 60602

Re: An ordinance to use and maintain a portion of the public right-of-way for **one (1) sign(s)** for **SOULCYCLE**, adjacent to the premises known as **111 W. Wacker Dr.**.

Dear Alderman **Brendan Reilly**:

The applicant referenced above has requested the use of the public right-of-way for a **sign(s)**. An ordinance has been prepared by the Department of Business Affairs and Consumer Protection – Small Business Center - Public Way Use Unit for presentation to the City Council. Because this request was made for properties located in your ward, as approved by you as per the attached, I respectfully request that you introduce the attached ordinance at the next City Council meeting.

If you have any questions regarding this ordinance, please contact Anthony Bertuca at (312) 744-5506.

Department of Business Affairs and Consumer Protection