



Office of the City Clerk



O2012-7469

Office of the City Clerk

City Council Document Tracking Sheet

| | |
|---------------------------------|--|
| Meeting Date: | 10/31/2012 |
| Sponsor(s): | Waguespack, Scott (32) |
| Type: | Ordinance |
| Title: | Awning(s) for Running Away Multisport |
| Committee(s) Assignment: | Committee on Transportation and Public Way |

ORDINANCE
RUNNING AWAY MULTISPORT
Acct. No. 215610 - 4
Permit No. 1101858

Be It Ordained by the City Council of the City of Chicago:

SECTION 1. Permission and authority are hereby given and granted to RUNNING AWAY MULTISPORT, upon the terms and subject to the conditions of this ordinance to construct, install, maintain and use three (3) Awning(s) projecting over the public right-of-way adjacent to its premises known as 2219-21 N. Clybourn Ave .

Said Awning(s) at N. Clybourn measure(s):

One (1) at twenty-five point five (25.5) feet in length, and two point five (2.5) feet in width for a total of sixty-three point seven five (63.75) square feet.

One (1) at six point eight (6.8) feet in length, and two point five (2.5) feet in width for a total of seventeen (17) square feet.

One (1) at fifteen point six (15.6) feet in length, and two point five (2.5) feet in width for a total of thirty-nine (39) square feet.

The location of said privilege shall be as shown on prints kept on file with the Department of Business Affairs and Consumer Protection and the Office of the City Clerk.

Said privilege shall be constructed in accordance with plans and specifications approved by the Zoning Department - Signs.


This grant of privilege in the public way shall be subject to the provisions of Section 10-28-015 and all other required provisions of the Municipal Code of Chicago.

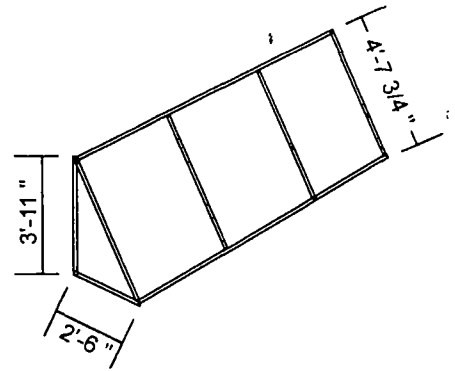
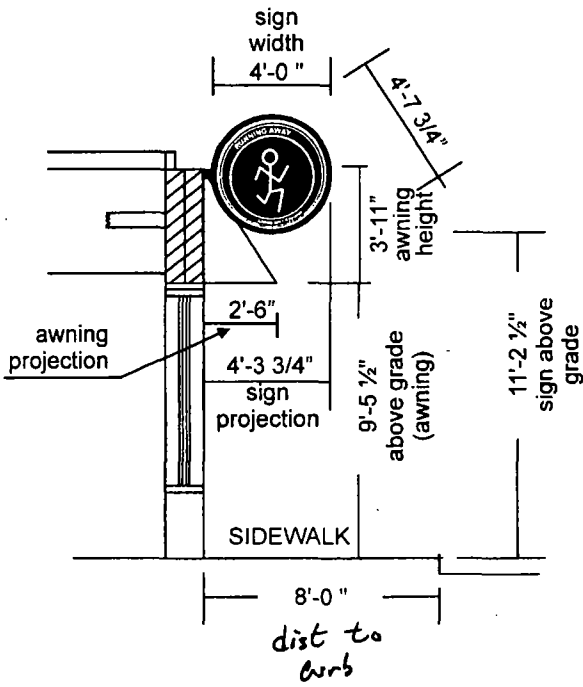
The grantee shall pay to the City of Chicago as compensation for the privilege #1101858 herein granted the sum of one hundred fifty dollars and fifty cents (\$150.50) per annum in advance.

A 25% penalty will be added for payments received after due date.

The permit holder agrees to hold the City of Chicago harmless for any damage, relocation or replacement costs associated with damage, relocation or removal of private property caused by the City performing work in the public way.

Authority herein given and granted for a period of five (5) years from and after Date of Passage.

Alderman 
Scott Waguespack 32nd Ward



Chicago Sign Group, llc
 305 Albert Drive
 Vernon Hills, IL 60061
 847.899.9021
 www.ChicagoSignGroup.com
 David@ChicagoSignGroup.com

Customer:
 Running Away Multisport
 2219 S. Clybourn
 Chicago, IL
 630-853-2853
 Mark Anthony

Location:
 Running Away Multisport
 2219 S. Clybourn
 Chicago, IL
 630-853-2853
 Mark Anthony

Customer Approval _____

Landlord Approval _____

© Copyright 2010
 by Chicago Sign
 Group, llc
 All designs presented
 are the sole property
 of Chicago Sign Group,
 llc and may not be
 reproduced in part
 or in whole without
 written permission



10/31/2012

Alderman **Scott Waguespack**
Ward # 32
City of Chicago
City Hall, Room 300
121 North LaSalle Street
Chicago, Illinois 60602

Re: An ordinance to use and maintain a portion of the public right-of-way for **three (3) awning(s)** for **RUNNING AWAY MULTISPORT**, adjacent to the premises known as **2219-21 N. Clybourn Ave.**.

Dear Alderman **Scott Waguespack**:

The applicant referenced above has requested the use of the public right-of-way for a **awning(s)**. An ordinance has been prepared by the Department of Business Affairs and Consumer Protection – Business Assistance Center - Public Way Use Unit for presentation to the City Council. Because this request was made for properties located in your ward, as approved by you as per the attached, I respectfully request that you introduce the attached ordinance at the next City Council meeting.

If you have any questions regarding this ordinance, please contact Anthony Bertuca at (312) 744-5506.

Department of Business Affairs and Consumer Protection