



City of Chicago



O2017-8350

Office of the City Clerk

Document Tracking Sheet

Meeting Date:	11/15/2017
Sponsor(s):	Burnett (27)
Type:	Ordinance
Title:	Grant(s) of privilege in public way for Onni Contracting (Chicago), Inc. - tree grates
Committee(s) Assignment:	Committee on Transportation and Public Way

ORDINANCE
ONNI CONTRACTING (CHICAGO) INC
Acct. No. 421895 - 2
Permit No. 1130252

Be It Ordained by the City Council of the City of Chicago:

SECTION 1. Permission and authority are hereby given and granted to ONNI CONTRACTING (CHICAGO) INC, upon the terms and subject to the conditions of this ordinance to construct, install, maintain and use six (6) Tree Grates(s) on the public right-of-way adjacent to its premises known as 1140 N. Wells St..

Said Tree Grates(s) at N. Wells Street measure(s):

Six (6) at five (5) feet in length, and five (5) feet in width for a total of one hundred fifty (150) square feet.

The location of said privilege shall be as shown on prints kept on file with the Department of Business Affairs and Consumer Protection and the Office of the City Clerk.

Said privilege shall be constructed in accordance with plans and specifications approved by the Department of Planning and Development and Department of Transportation (Division of Project Development).

This grant of privilege in the public way shall be subject to the provisions of Section 10-28-015 and all other required provisions of the Municipal Code of Chicago.

The grantee shall pay to the City of Chicago as compensation for the privilege #1130252 herein granted the sum of zero (\$0.00) per annum in advance.

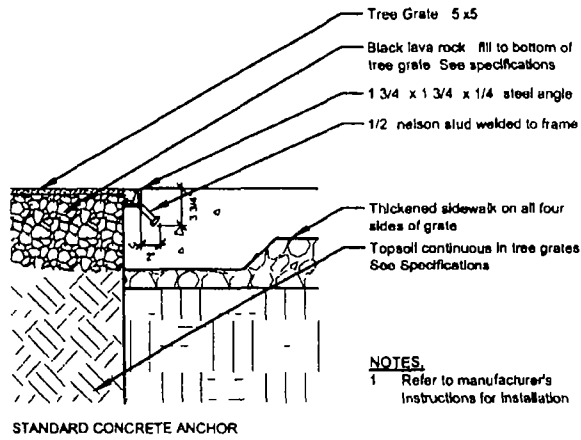
A 25% penalty will be added for payments received after due date

The permit holder agrees to hold the City of Chicago harmless for any damage, relocation or replacement costs associated with damage, relocation or removal of private property caused by the City performing work in the public way.

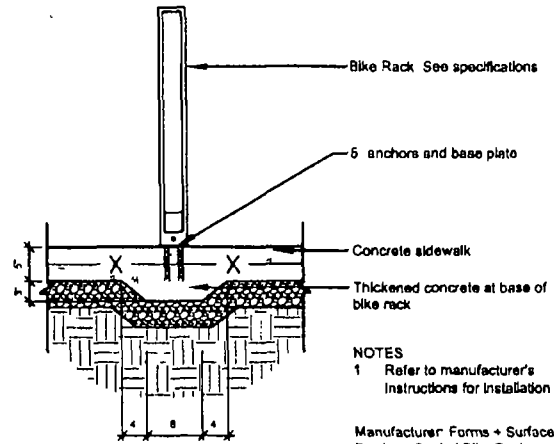
Authority herein given and granted for a period of five (5) years from and after Date of Passage.

Alderman


Walter Burnett Jr. 27th Ward



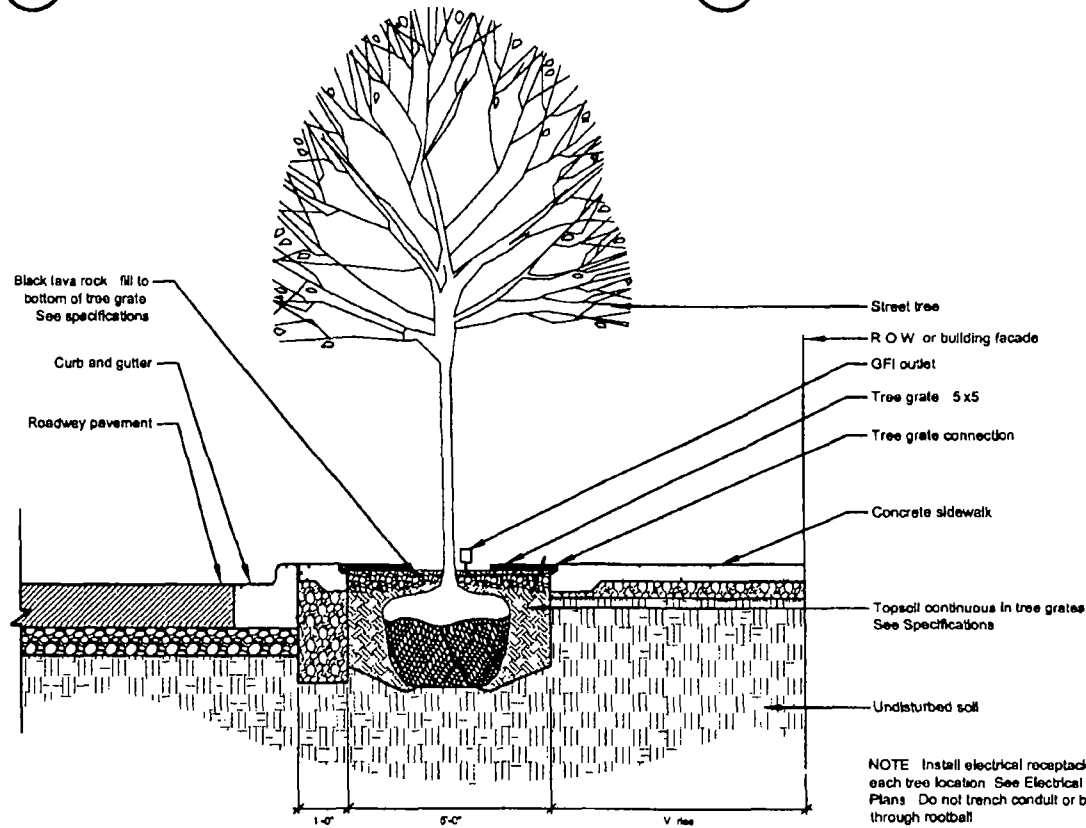
1 Tree Grate Connection
Scale NTS



NOTES
1 Refer to manufacturer's instructions for installation

Manufacturer: Forms + Surfaces
Product: Capital Bike Rack
Available from: Shawn Davidson
847 636 6651

3 Bike Rack
Scale NTS



NOTE: Install electrical receptacle at each tree location. See Electrical Plans. Do not trench conduit or box through rootball.

2 Section - Typical Sidewalk Through Planter - Tree Grate
Scale NTS

APPLICANT	ONNI GROUP	
ADDRESS	1140 N WELLS STREET	
DATE	OCTOBER 12, 2017	SCALE NTS

DETAILS