



City of Chicago



O2017-6533

Office of the City Clerk

Document Tracking Sheet

Meeting Date:	9/6/2017
Sponsor(s):	King (4)
Type:	Ordinance
Title:	Grant(s) of privilege in public way for Metropolitan Pier & Exposition Authority - caissons
Committee(s) Assignment:	Committee on Transportation and Public Way

ORDINANCE
METROPOLITAN PIER & EXPOSITION AUTHORITY
Acct. No. 2675 - 13
Permit No. 1129397

Be It Ordained by the City Council of the City of Chicago:

SECTION 1. Permission and authority are hereby given and granted to METROPOLITAN PIER & EXPOSITION AUTHORITY, upon the terms and subject to the conditions of this ordinance to maintain and use, as now constructed, two (2) Caisson(s) under the public right-of-way adjacent to its premises known as 2500 S. Dr Martin Luther King Jr Dr..

Said Caisson(s) at S. ML King Dr measure(s):

Two (2) at one (1) foot in length, and eighteen (18) feet in width for a total of thirty-six (36) square feet. Existing caissons are approximately twenty-eight (28) feet in depth.

The location of said privilege shall be as shown on prints kept on file with the Department of Business Affairs and Consumer Protection and the Office of the City Clerk.

Said privilege shall be constructed in accordance with plans and specifications approved by the Department of Planning and Development and Department of Transportation (Office of Underground Coordination).

This grant of privilege in the public way shall be subject to the provisions of Section 10-28-015 and all other required provisions of the Municipal Code of Chicago.

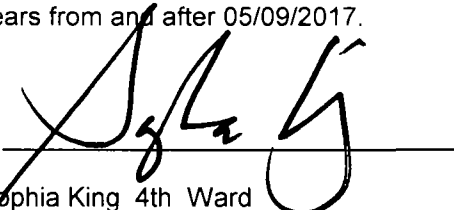
The grantee shall pay to the City of Chicago as compensation for the privilege #1129397 herein granted the sum of four hundred (\$400.00) per annum in advance.

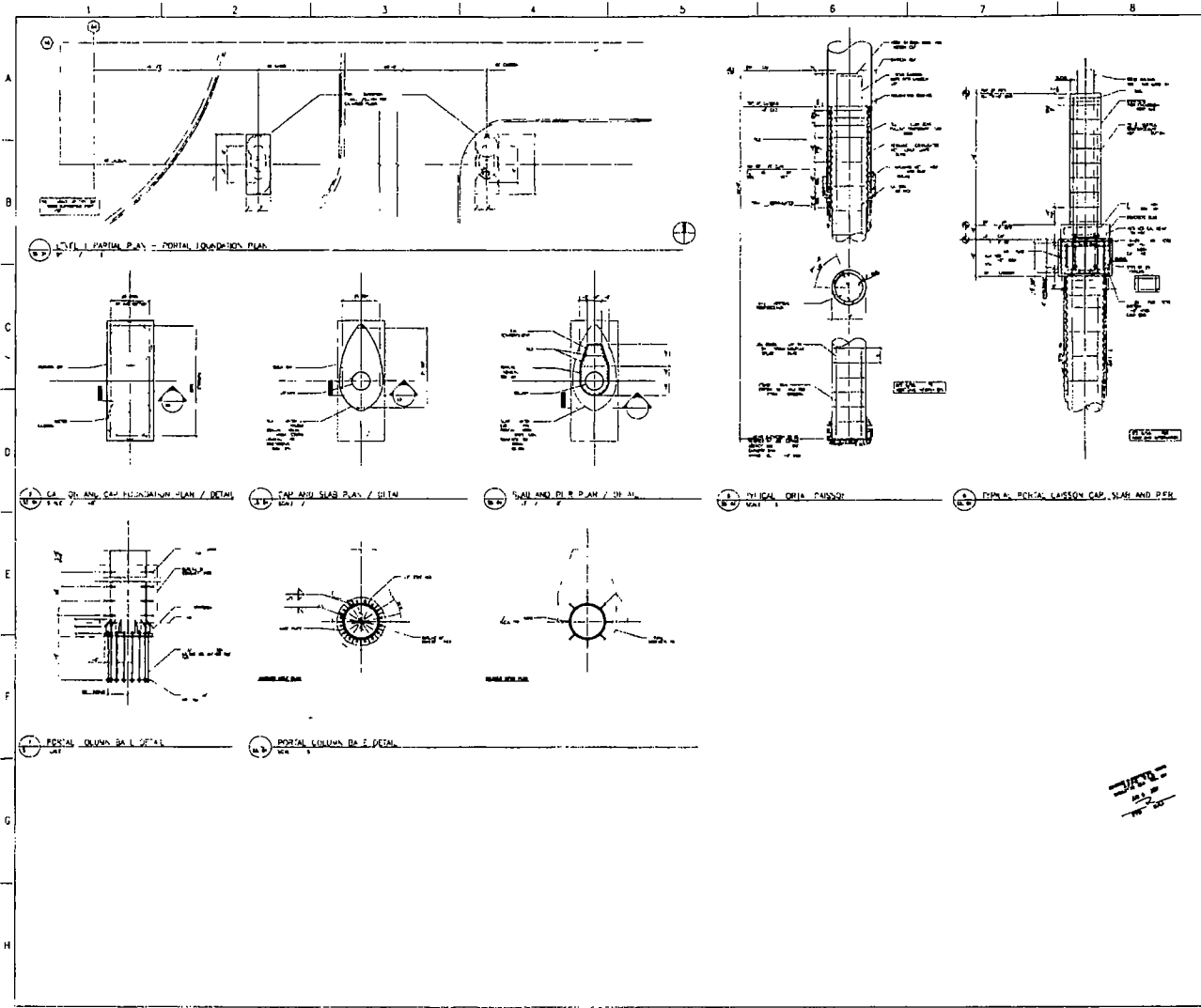
A 25% penalty will be added for payments received after due date.

The permit holder agrees to hold the City of Chicago harmless for any damage, relocation or replacement costs associated with damage, relocation or removal of private property caused by the City performing work in the public way.

Authority herein given and granted for a period of five (5) years from and after 05/09/2017.

Alderman _____

Sophia King 4th Ward 



MCCORMICK PLACE

Mc 4 WEST

MCCORMICK PLACE

west

PORTAL FOUNDATION PARTIAL PLAN AND DETAILS

S5 104



Department of Business Affairs and Consumer Protection
Small Business Center - Public Way Use Unit
City Hall - 121 N. LaSalle Street, Room 800 • Chicago, IL 60602
312-74-GOBIZ / 312-744-6249 • (312) 744-1944 (TTY)
<http://www.cityofchicago.org/bacp>

09/06/2017

Alderman **Sophia King**
Ward # **04**
City of Chicago
City Hall, Room **305**
121 North LaSalle Street
Chicago, Illinois 60602

Re: An ordinance to use and maintain a portion of the public right-of-way for **two (2) caisson(s)** for **METROPOLITAN PIER & EXPOSITION AUTHORITY**, adjacent to the premises known as **2500 S. Dr Martin Luther King Jr Dr.**

Dear Alderman **Sophia King**:

The applicant referenced above has requested the use of the public right-of-way for **caisson(s)**. An ordinance has been prepared by the Department of Business Affairs and Consumer Protection – Small Business Center - Public Way Use Unit for presentation to the City Council. Because this request was made for properties located in your ward, as approved by you as per the attached, I respectfully request that you introduce the attached ordinance at the next City Council meeting.

If you have any questions regarding this ordinance, please contact Anthony Bertuca at (312) 744-5506.

Department of Business Affairs and Consumer Protection