



# City of Chicago



O2015-4906

Office of the City Clerk

## Document Tracking Sheet

<b>Meeting Date:</b>	6/17/2015
<b>Sponsor(s):</b>	Reilly (42)
<b>Type:</b>	Ordinance
<b>Title:</b>	Awning(s) for Giordano's on Jackson
<b>Committee(s) Assignment:</b>	Committee on Transportation and Public Way

ORDINANCE  
GIORDANO'S ON JACKSON  
Acct. No. 369743 - 4  
Permit No. 1118723

*Be It Ordained by the City Council of the City of Chicago:*

SECTION 1. Permission and authority are hereby given and granted to GIORDANO'S ON JACKSON, upon the terms and subject to the conditions of this ordinance to maintain and use, as now constructed, two (2) Awning(s) projecting over the public right-of-way adjacent to its premises known as 223-225 W. Jackson Blvd..

Said Awning(s) at W. Jackson Blvd measure(s):

One (1) at seventeen point six seven (17.67) feet in length, and three (3) feet in width for a total of fifty-three point zero one (53.01) square feet.

One (1) at eleven point three three (11.33) feet in length, and three (3) feet in width for a total of thirty-three point nine nine (33.99) square feet.

The location of said privilege shall be as shown on prints kept on file with the Department of Business Affairs and Consumer Protection and the Office of the City Clerk.

Said privilege shall be constructed in accordance with plans and specifications approved by the Zoning Department - Signs.

This grant of privilege in the public way shall be subject to the provisions of Section 10-28-015 and all other required provisions of the Municipal Code of Chicago.

The grantee shall pay to the City of Chicago as compensation for the privilege #1118723 herein granted the sum of one hundred (\$100.00) per annum in advance.

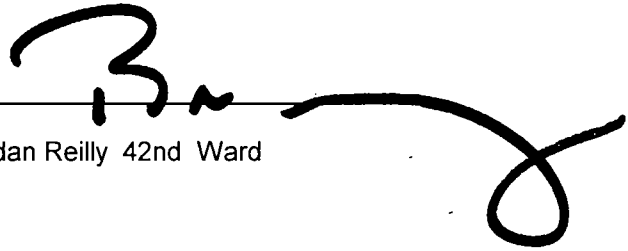
A 25% penalty will be added for payments received after due date.

The permit holder agrees to hold the City of Chicago harmless for any damage, relocation or replacement costs associated with damage, relocation or removal of private property caused by the City performing work in the public way.

Authority herein given and granted for a period of five (5) years from and after Date of Passage.

Alderman \_\_\_\_\_

Brendan Reilly 42nd Ward

A large, stylized handwritten signature in black ink, appearing to read 'Brendan Reilly', is written over a horizontal line. The signature is fluid and cursive, with a large loop at the end.

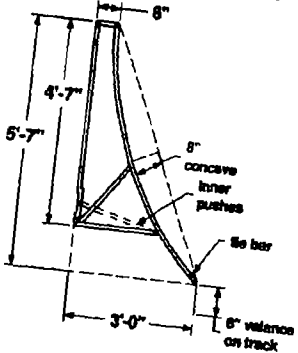
Handwritten scribbles or marks, possibly a signature or initials, located in the lower-left quadrant of the page.

no text

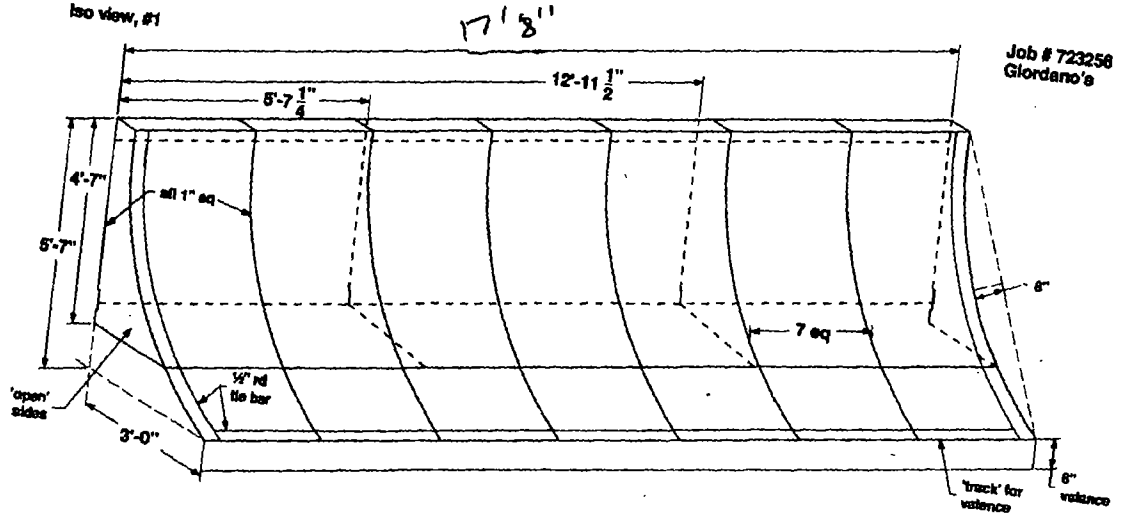
① + ② — text

- Notes:
- galv ed frames (4)
  - welded construction
  - tubing as noted
  - tie bar up @ perimeter
  - silver frame finish
  - valance on track

Side view, window awnings (4)



iso view, #1



Job # 723256  
Giordano's