



City of Chicago



Or2015-25

Office of the City Clerk

Document Tracking Sheet

Meeting Date:	1/21/2015
Sponsor(s):	Reilly (42)
Type:	Order
Title:	Issuance of permits for sign(s)/signboard(s) at 108 N State St - 111 sq. ft.
Committee(s) Assignment:	Committee on Zoning, Landmarks and Building Standards

4 of 5

Committee on Zoning, Landmarks, and Building Standards

(Signs)

ORDERED, That the Commissioner of Buildings is hereby directed to issue a sign permit to: (Contractor's name and address)

LANDMARK SIGN COMPANY
7424 INDUSTRIAL AVE.
CHESTERTON, IN 46304

for the erection of a sign/signboard over 24 feet in height and/or over 100 square feet (in area of one face) at: (Business Name & Address)

108 N. STATE STREET (BLOCK 37) (Permit #100567252)
108 N. STATE STREET
CHICAGO, IL 60602

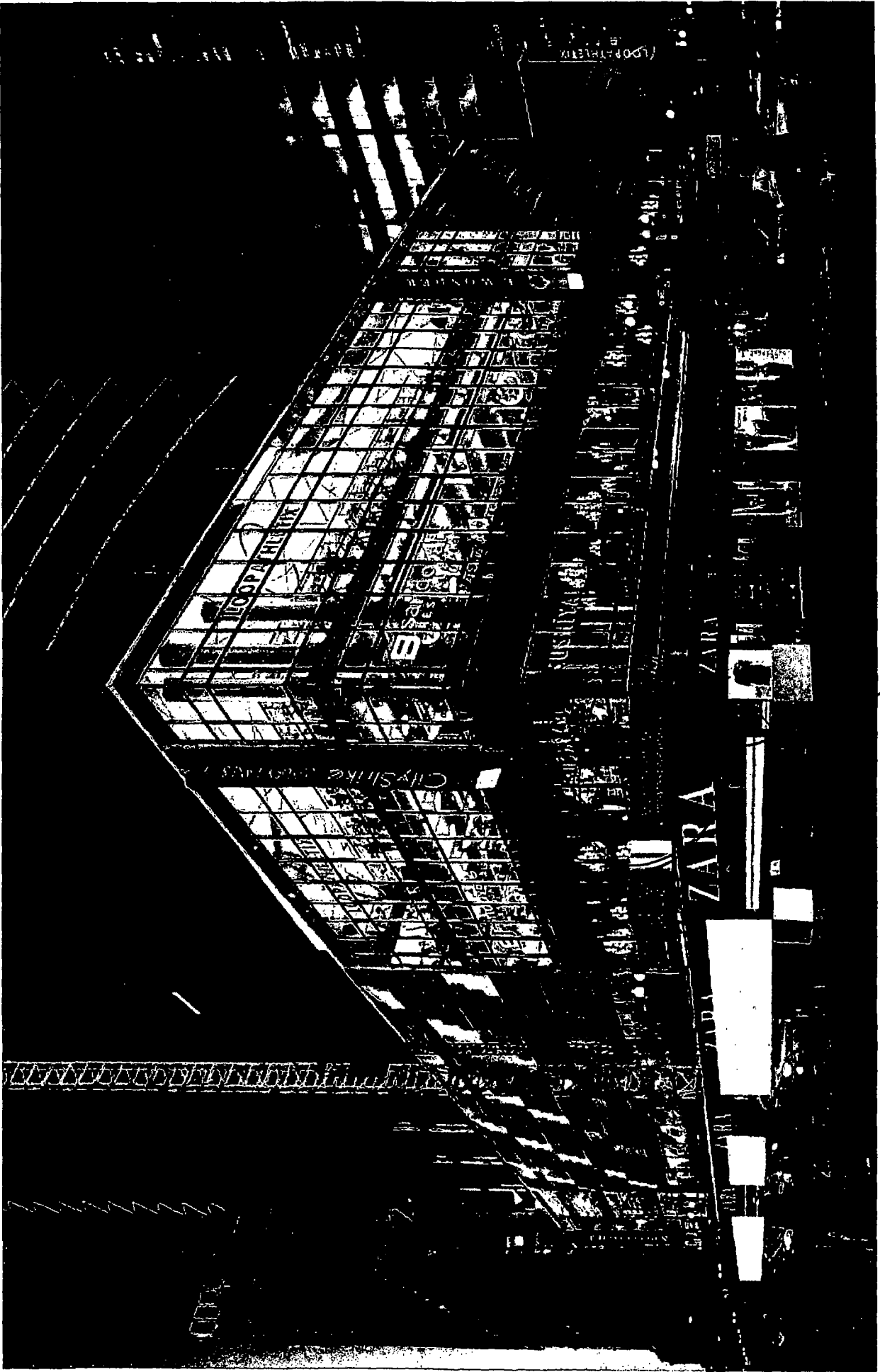
Dimensions: Length 27' - 8" **Height** 4'
Height above grade/roof to top of sign 18'
TOTAL SQUARE FOOT AREA: 111

Such sign(s) shall comply with all applicable provisions of TITLE 17 of the Chicago Zoning Ordinance and all other applicable provisions of the Municipal Code of the City of Chicago governing the construction and maintenance of outdoor signs, signboards and structures.

ALDERMAN REILLY - WARD 42

Sign Marked 7

RANDOLPH & DEARBORN

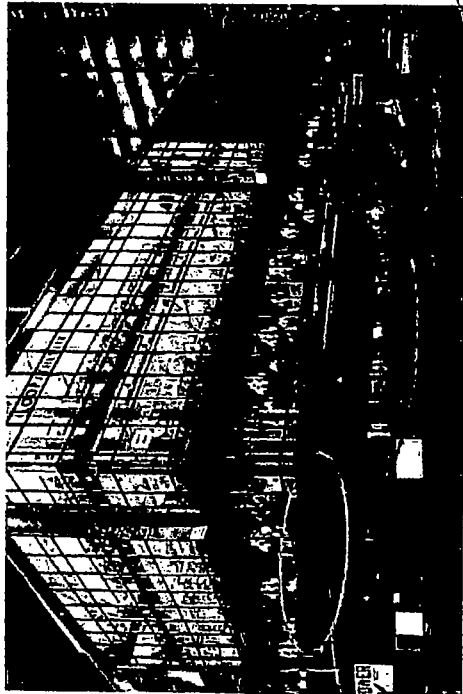


① sign # 100567252

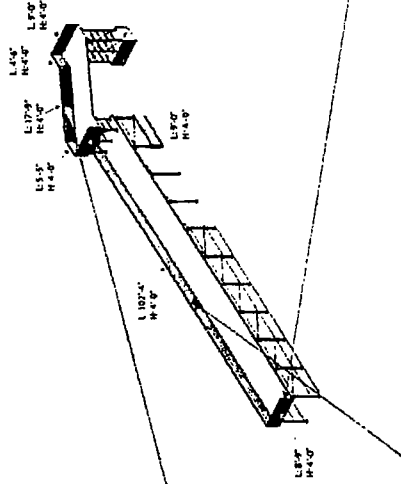
temporarily banners to ensure that the retailers have adequate visibility during the extended construction project.

Install Banners onto 3/4" plywood with #10 Hex Head Screws with 1" Fender Washers thru 3/8" Gromme Holes every 24" around entire edges of Banner.

AREA COVERED HIGHLIGHT



SCAFFOLD STRUCTURE (from the back)



#100567252

SIZE: 337" w X 48" h
278" w X 4" h

PRINTED RIGID PANEL

SIZE: 1228" w X 216" h
1024" w X 18" h

ZARA
445 WEST WASHINGTON

ZARA
445 WEST WASHINGTON

ZARA
445 WEST WASHINGTON

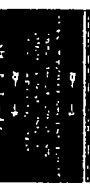
ZARA
445 WEST WASHINGTON

ZARA
445 WEST WASHINGTON

ZARA
445 WEST WASHINGTON

SIZE: 105" w X 48" h
89" w X 4" h

ZARA
445 WEST WASHINGTON



MESH BANNERS

SIZE: 108" w X 108" h (both)
9" w X 9" h

Located beneath scaffold
MESH BANNER

COLUMN WRAPS
SIZE: 48" w X 108" h (both)
4" w X 9" h

Located beneath scaffold
PRINTED DECALS

DEERBORN STREET SIGNAGE - ELEVATION

TOTAL SIZE: 1665" w X 216" h
1389" w X 18" h

7

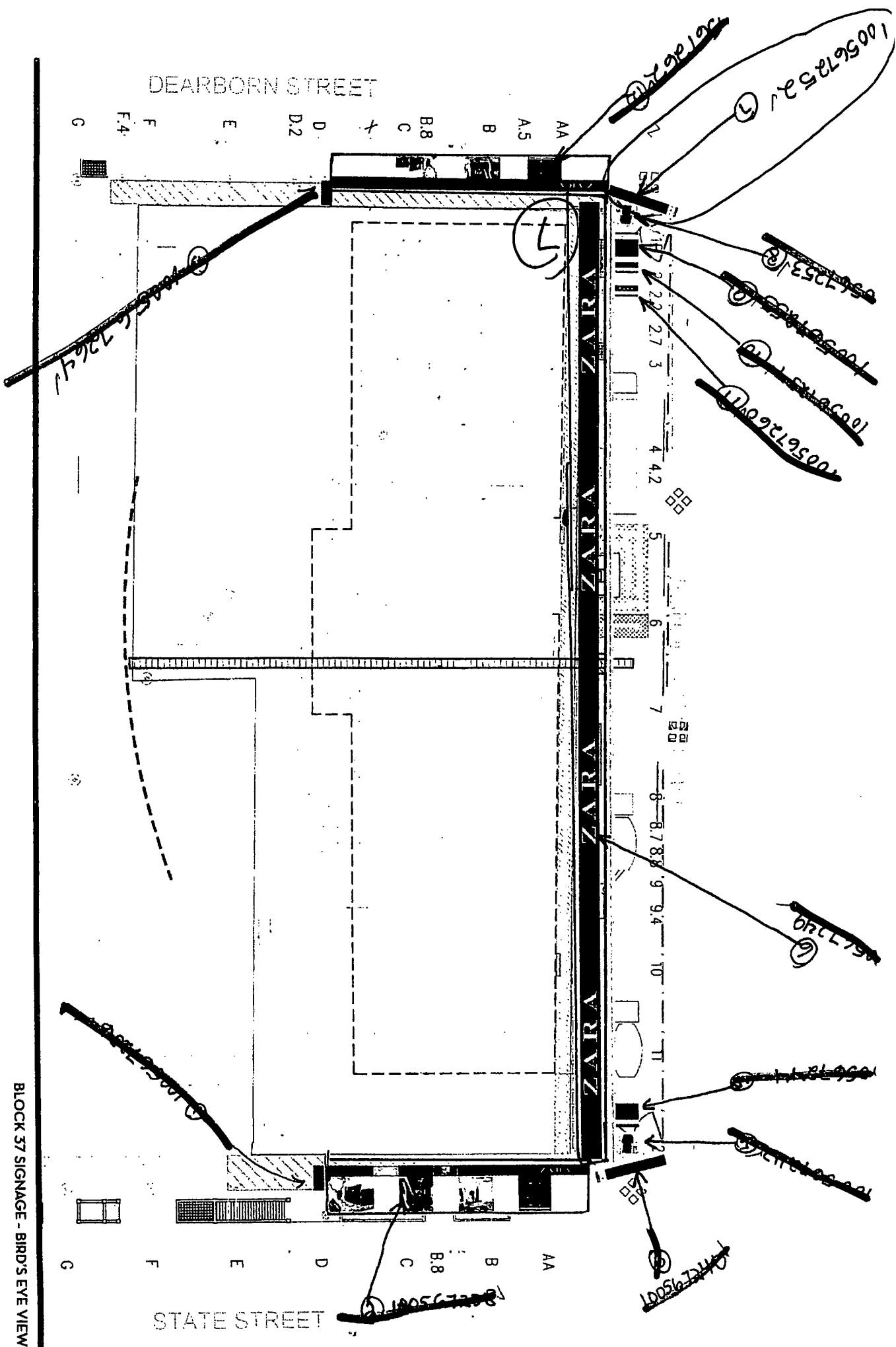


7424 Industrial Avenue
Chesterton, IN 46304
phone 219.762.9577
fax 219.762.4259

www.landmarksign.com

DEARBORN STREET

AA A5 B B8 C D D2 E F F4 G



STATE STREET

AA B B8 C D E F G

BLOCK 37 SIGNAGE - BIRD'S EYE VIEW