



City of Chicago



O2016-920

Office of the City Clerk

Document Tracking Sheet

Meeting Date:	2/10/2016
Sponsor(s):	Tunney (44)
Type:	Ordinance
Title:	Awning(s) for Iconic Optical, Inc.
Committee(s) Assignment:	Committee on Transportation and Public Way

ORDINANCE
ICONIC OPTICAL INC.
Acct. No. 397977 - 1
Permit No. 1120524

Be It Ordained by the City Council of the City of Chicago:

SECTION 1. Permission and authority are hereby given and granted to ICONIC OPTICAL INC., upon the terms and subject to the conditions of this ordinance to construct, install, maintain and use one (1) Awning(s) projecting over the public right-of-way adjacent to its premises known as 2915 N. Broadway .

Said Awning(s) at N Broadway measure(s):

One (1) at twelve (12) feet in length, and one point five (1.5) foot in width for a total of eighteen (18) square feet.

The location of said privilege shall be as shown on prints kept on file with the Department of Business Affairs and Consumer Protection and the Office of the City Clerk.

Said privilege shall be constructed in accordance with plans and specifications approved by the Zoning Department - Signs.

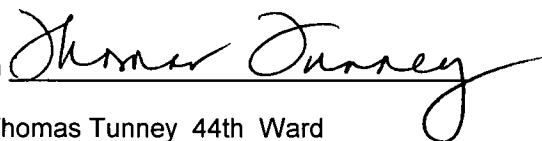
This grant of privilege in the public way shall be subject to the provisions of Section 10-28-015 and all other required provisions of the Municipal Code of Chicago.

The grantee shall pay to the City of Chicago as compensation for the privilege #1120524 herein granted the sum of fifty (\$50.00) per annum in advance.

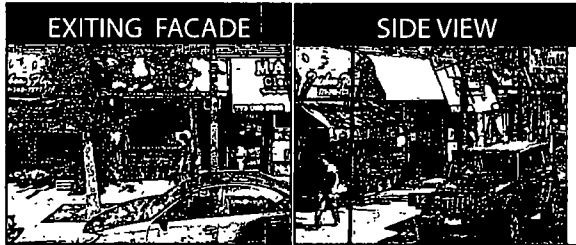
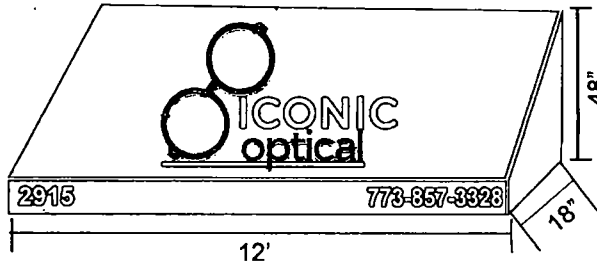
A 25% penalty will be added for payments received after due date.

The permit holder agrees to hold the City of Chicago harmless for any damage, relocation or replacement costs associated with damage, relocation or removal of private property caused by the City performing work in the public way.

Authority herein given and granted for a period of five (5) years from and after Date of Passage.

Alderman 
Thomas Tunney 44th Ward

AWNING SIGN



(Bridgeport)
Chicago, IL
3401 S Halsted St.
Chicago, IL 60608
773-847-2828
Fax 773-847-0088

BRIDGEPORT PASTY
SIGN ELEVATION EXHIBIT

Address
2915 N Broadway

City Chicago, IL
State IL

Account Rep
Sales Rep K. WONG

APPROVALS
CLIENT _____
DESIGN _____
PROD _____
Designer K. WONG

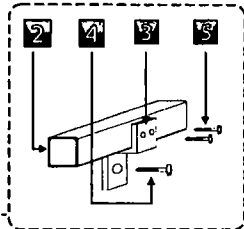
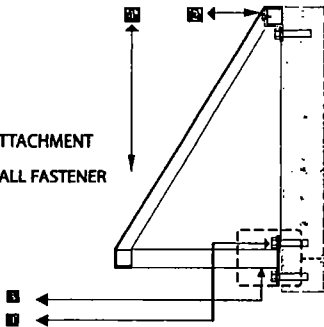
Design No _____
DATE 07-27-13

Rev Date _____

The purchaser agrees to hold the seller harmless against any claims for action for damage which may occur as a result of drilling for signs and foundations, including but not limited to sewer gas lines or any underground obstacles which the purchaser or others may deem valuable.

SPECIFICATIONS

- 1 Awning Fabric Material
- 2 1"X 1" SQUARE TUBE FRAME
- 3 3/16" GALVANIZED STEEL Z-CLIP ATTACHMENT
- 4 APPROPRIATE NON-CORROSIVE WALL FASTENER SEE MOUNTING OPTION DETAILS
- 5 #12 TEK SCREW



Z-CLIP FOR INSTALLATION EVERY FOUR SIDED

COLOR SCHEDULE

- White
- Black

MOUNTING DETAIL

