



Office of the City Clerk



O2013-374

Office of the City Clerk

City Council Document Tracking Sheet

Meeting Date:	1/17/2013
Sponsor(s):	Colón, Rey (35)
Type:	Ordinance
Title:	Grant(s) of privilege in public way for Billy Sunday
Committee(s) Assignment:	Committee on Transportation and Public Way

ORDINANCE
BILLY SUNDAY
Acct. No. 371950 - 1
Permit No. 1104190

Be It Ordained by the City Council of the City of Chicago:

SECTION 1. Permission and authority are hereby given and granted to BILLY SUNDAY, upon the terms and subject to the conditions of this ordinance to construct, install, maintain and use three (3) Light Fixture(s) projecting over the public right-of-way adjacent to its premises known as 3143 W. Logan Blvd..

Said Light Fixture(s) at W. Logan Blvd measure(s):

Two (2) at one point six (1.6) foot in length, one point two five (1.25) foot in width and fifteen point two five (15.25) feet above grade level.

One (1) at point six seven (.67) feet in length, one point eight three (1.83) foot in width and fourteen point two five (14.25) feet above grade level.

The location of said privilege shall be as shown on prints kept on file with the Department of Business Affairs and Consumer Protection and the Office of the City Clerk.

Said privilege shall be constructed in accordance with plans and specifications approved by the Department of Transportation (Division of Project Development).

This grant of privilege in the public way shall be subject to the provisions of Section 10-28-015 and all other required provisions of the Municipal Code of Chicago.

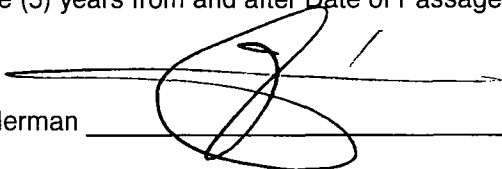
The grantee shall pay to the City of Chicago as compensation for the privilege #1104190 herein granted the sum of seventy-five (\$75.00) per annum in advance.

A 25% penalty will be added for payments received after due date.

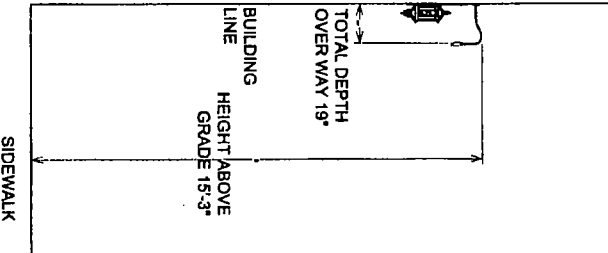
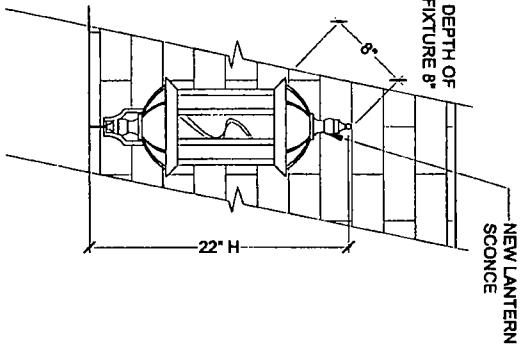
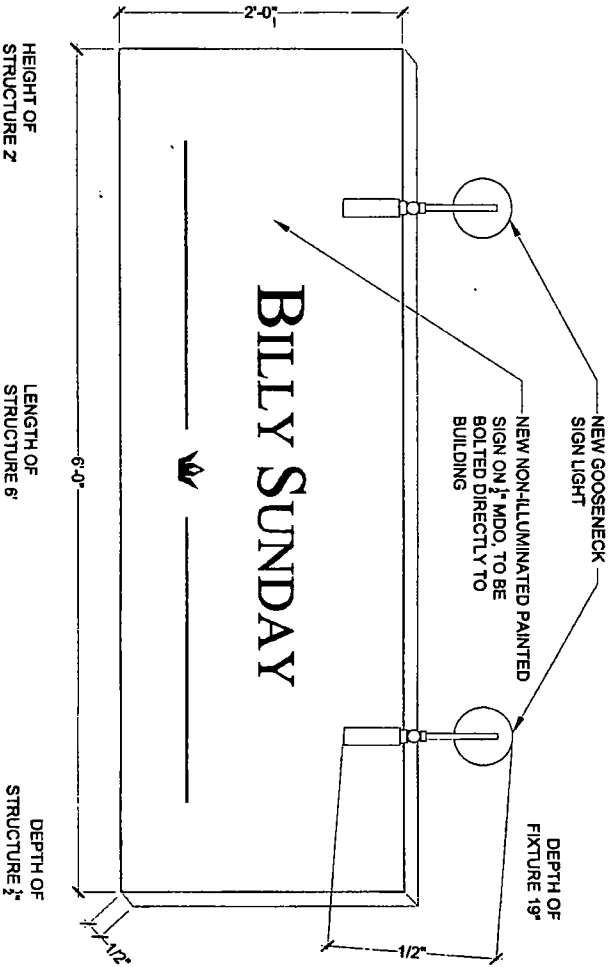
The permit holder agrees to hold the City of Chicago harmless for any damage, relocation or replacement costs associated with damage, relocation or removal of private property caused by the City performing work in the public way.

Authority herein given and granted for a period of five (5) years from and after Date of Passage.

Alderman _____


Reynaldo Colon 35th Ward

3143 WEST LOGAN BOULEVARD



1 SIGN DRAWING
A-2 NTS

2 LIGHT ABOVE ENTRANCE
A-2 NTS

3 SECTION-STOREFRONT
A-2 NTS

FC	3147 W LOGAN BLVD #10 CHICAGO, ILLINOIS 60647	STOREFRONT SIGN & LIGHT @ ENTRANCE	A-2
ST	312 . 8 5 0 . 0 8 5 0		
UD		LOGAN SQUARE COCKTAIL BAR 3143 W. LOGAN BLVD, CHICAGO IL 60647	
I 0	raehel@castudioinc.com		DATE 01.04.2013



01/17/2013

Alderman **Reynaldo Colon**
Ward # 35
City of Chicago
City Hall, Room 203
121 North LaSalle Street
Chicago, Illinois 60602

Re: An ordinance to use and maintain a portion of the public right-of-way for **three (3) light fixture(s)** for **BILLY SUNDAY**, adjacent to the premises known as **3143 W. Logan Blvd.**.

Dear Alderman **Reynaldo Colon**:

The applicant referenced above has requested the use of the public right-of-way for a **light fixture(s)**. An ordinance has been prepared by the Department of Business Affairs and Consumer Protection – Business Assistance Center - Public Way Use Unit for presentation to the City Council. Because this request was made for properties located in your ward, as approved by you as per the attached, I respectfully request that you introduce the attached ordinance at the next City Council meeting.

If you have any questions regarding this ordinance, please contact Anthony Bertuca at (312) 744-5506.

Department of Business Affairs and Consumer Protection