



City of Chicago



O2020-5963

Office of the City Clerk

Document Tracking Sheet

Meeting Date:	12/16/2020
Sponsor(s):	Sigcho-Lopez (25)
Type:	Ordinance
Title:	Grant(s) of privilege in public way for 1125 Van Buren LLC
Committee(s) Assignment:	Committee on Transportation and Public Way

ORDINANCE
1125 VAN BUREN LLC
Acct. No. 465155 - 1
Permit No. 1147004

Be It Ordained by the City Council of the City of Chicago:

SECTION 1. Permission and authority are hereby given and granted to 1125 VAN BUREN LLC, upon the terms and subject to the conditions of this ordinance to construct, install, maintain and use twenty-seven (27) Cornice(s) projecting over the public right-of-way adjacent to its premises known as 1125 W. Van Buren St..

Said Cornice(s) at W. VAN BUREN ST measure(s):

One (1) at one hundred thirty-five (135) feet in length, and point five eight (.58) feet in width for a total of seventy-eight point three (78.3) square feet.

One (1) at forty-two point one seven (42.17) feet in length, and point five eight (.58) feet in width for a total of twenty-four point four six (24.46) square feet.

One (1) at forty-five point three three (45.33) feet in length, and point five eight (.58) feet in width for a total of twenty-six point two nine (26.29) square feet.

One (1) at forty-three point eight three (43.83) feet in length, and point five eight (.58) feet in width for a total of twenty-five point four two (25.42) square feet.

One (1) at one hundred thirty-four point seven five (134.75) feet in length, and point zero eight (.08) feet in width for a total of ten point seven eight (10.78) square feet.

One (1) at forty-one point eight three (41.83) feet in length, and point zero eight (.08) feet in width for a total of three point three five (3.35) square feet.

One (1) at forty-three point three three (43.33) feet in length, and point zero eight (.08) feet in width for a total of three point four seven (3.47) square feet.

One (1) at forty point one seven (40.17) feet in length, and point zero eight (.08) feet in width for a total of three point two one (3.21) square feet.

One (1) at forty-one point eight three (41.83) feet in length, and point zero eight (.08) feet in width for a total of three point three five (3.35) square feet.

One (1) at forty-three point three three (43.33) feet in length, and point zero eight (.08) feet in width for a total of three point four seven (3.47) square feet.

One (1) at forty point one seven (40.17) feet in length, and point zero eight (.08) feet in width for a total of three point two one (3.21) square feet.

One (1) at forty-one point eight three (41.83) feet in length, and point zero eight (.08) feet in width for a total of three point three five (3.35) square feet.

One (1) at forty-three point three three (43.33) feet in length, and point zero eight (.08) feet in width for a total of three point four seven (3.47) square feet.

One (1) at forty point one seven (40.17) feet in length, and point zero eight (.08) feet in width for a total of three point two one (3.21) square feet.

Said Cornice(s) at S. TILDEN ST measure(s):

One (1) at one hundred thirty-six point six seven (136.67) feet in length, and point zero eight (.08) feet in width for a total of ten point nine three (10.93) square feet.

One (1) at thirty-nine point nine two (39.92) feet in length, and point five eight (.58) feet in width for a total of twenty-three point one five (23.15) square feet.

One (1) at forty-four point six seven (44.67) feet in length, and point five eight (.58) feet in width for a total of twenty-five point nine one (25.91) square feet.

One (1) at forty-eight point nine two (48.92) feet in length, and point five eight (.58) feet in width for a total of twenty-eight point three seven (28.37) square feet.

One (1) at thirty-seven point six seven (37.67) feet in length, and point zero eight (.08) feet in width for a total of three point zero one (3.01) square feet.

One (1) at forty-two point six seven (42.67) feet in length, and point zero eight (.08) feet in width for a total of three point four one (3.41) square feet.

The location of said privilege shall be as shown on prints kept on file with the Department of Business Affairs and

Consumer Protection and the Office of the City Clerk.

Said privilege shall be constructed in accordance with plans and specifications approved by the Department of Transportation (Division of Project Development).

This grant of privilege in the public way shall be subject to the provisions of Section 10-28-015 and all other required provisions of the Municipal Code of Chicago.

The grantee shall pay to the City of Chicago as compensation for the privilege #1147004 herein granted the sum of four hundred (\$400.00) per annum in advance.

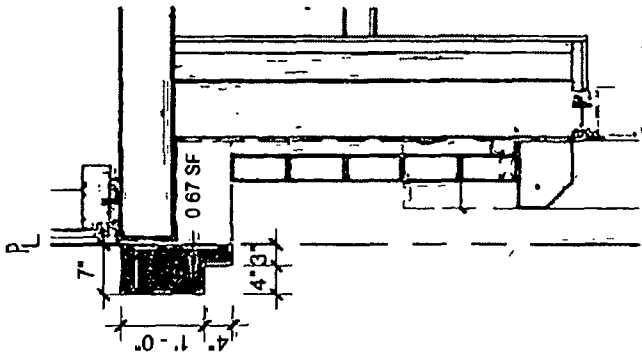
A 25% penalty will be added for payments received after due date.

The permit holder agrees to hold the City of Chicago harmless for any damage, relocation or replacement costs associated with damage, relocation or removal of private property caused by the City performing work in the public way.

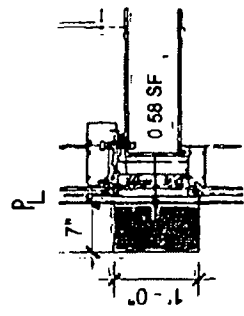
Authority herein given and granted for a period of five (5) years from and after Date of Passage.

Alderman _____

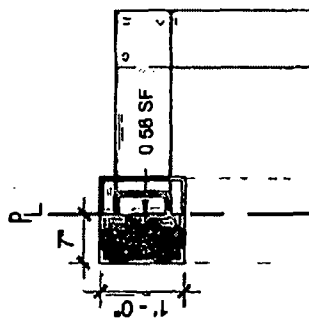
Byron Sigcho-Lopez 25th Ward



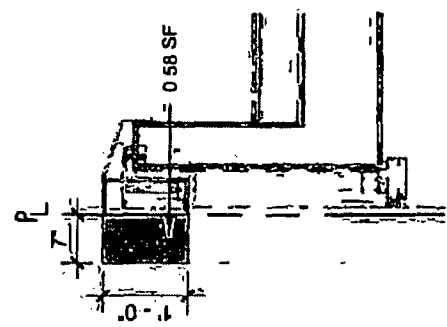
1 DETAIL - CORNICE A
 1/2" = 1'-0"
 GOP-SK-07
 A3.11D



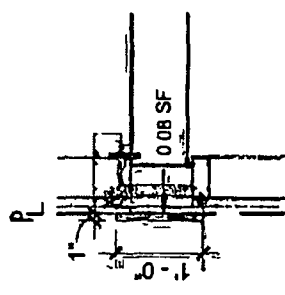
2 DETAIL - CORNICE B1
 1/2" = 1'-0"
 GOP-SK-07
 A3.11D



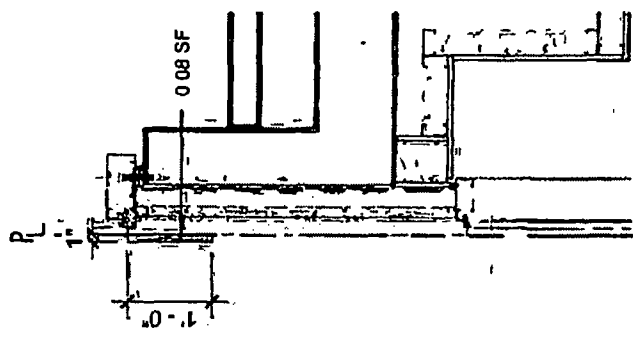
3 DETAIL - CORNICE B2
 1/2" = 1'-0"
 GOP-SK-07
 A3.19C



4 DETAIL - CORNICE B3
 1/2" = 1'-0"
 GOP-SK-07



5 DETAIL - CORNICE C
 1/2" = 1'-0"
 GOP-SK-07
 A3.11E



6 DETAIL - CORNICE D
 1/2" = 1'-0"
 GOP-SK-07
 A3.15D



GOP - SK-07 - CORNICE SECTION DETAILS

CHICAGO IL 60607

1125 W VAN BUREN

ANTUNOVICH ASSOCIATES ARCHITECT | 1144 3RD STREET NE, WASHINGTON DC 20002 | PHONE: 202 540 1144

08/28/19



Department of Business Affairs and Consumer Protection
Small Business Center - Public Way Use Unit
City Hall - 121 N. LaSalle Street, Room 800 • Chicago, IL 60602
312-74-GOBIZ / 312-744-6249 • (312) 744-1944 (TTY)
<http://www.cityofchicago.org/bacp>

12/16/2020

Alderman Byron Sigcho-Lopez
Ward # 25
City of Chicago
City Hall, Room 304
121 North LaSalle Street
Chicago, Illinois 60602

Re: An ordinance to use and maintain a portion of the public right-of-way for **twenty-seven (27) cornice(s)** for **1125 VAN BUREN LLC**, adjacent to the premises known as **1125 W. Van Buren St.**

Dear Alderman **Byron Sigcho-Lopez**:

The applicant referenced above has requested the use of the public right-of-way for a **cornice(s)**. An ordinance has been prepared by the Department of Business Affairs and Consumer Protection – Small Business Center - Public Way Use Unit for presentation to the City Council. Because this request was made for properties located in your ward, as approved by you as per the attached, I respectfully request that you introduce the attached ordinance at the next City Council meeting.

If you have any questions regarding this ordinance, please contact Anthony Bertuca at (312) 744-5506.

Department of Business Affairs and Consumer Protection