



City of Chicago



O2019-9787

Office of the City Clerk

Document Tracking Sheet

Meeting Date:	12/18/2019
Sponsor(s):	Burnett (27)
Type:	Ordinance
Title:	Grant(s) of privilege in public way for Consulate General of the Republic of Indonesia
Committee(s) Assignment:	Committee on Transportation and Public Way

ORDINANCE
CONSULATE GENERAL OF THE REPUBLIC OF INDONESIA
Acct. No. 464020 - 1
Permit No. 1142862

Be It Ordained by the City Council of the City of Chicago:

SECTION 1. Permission and authority are hereby given and granted to CONSULATE GENERAL OF THE REPUBLIC OF INDONESIA, upon the terms and subject to the conditions of this ordinance to construct, install, maintain and use two (2) Flag Pole(s) projecting over the public right-of-way adjacent to its premises known as 211 N. Carpenter St..

Said Flag Pole(s) at N. CARPENTER ST measure(s):

Two (2) at eight (8) feet in length, and one (1) foot in width for a total of sixteen (16) square feet.

The location of said privilege shall be as shown on prints kept on file with the Department of Business Affairs and Consumer Protection and the Office of the City Clerk.

Said privilege shall be constructed in accordance with plans and specifications approved by the Department of Transportation (Division of Project Development).

This grant of privilege in the public way shall be subject to the provisions of Section 10-28-015 and all other required provisions of the Municipal Code of Chicago.

The grantee shall pay to the City of Chicago as compensation for the privilege #1142862 herein granted the sum of one hundred fifty (\$150.00) per annum in advance.

A 25% penalty will be added for payments received after due date.

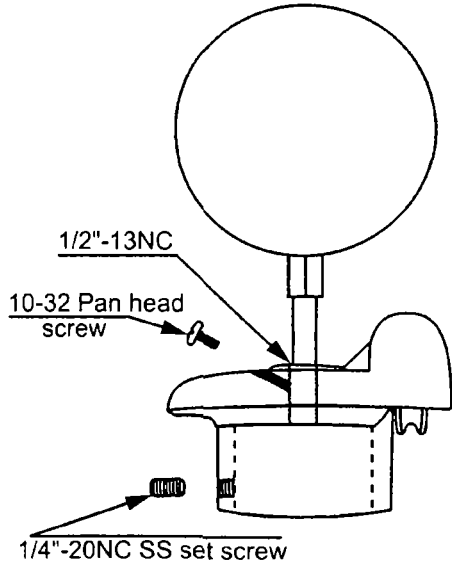
The permit holder agrees to hold the City of Chicago harmless for any damage, relocation or replacement costs associated with damage, relocation or removal of private property caused by the City performing work in the public way.

Authority herein given and granted for a period of five (5) years from and after Date of Passage.

Alderman 

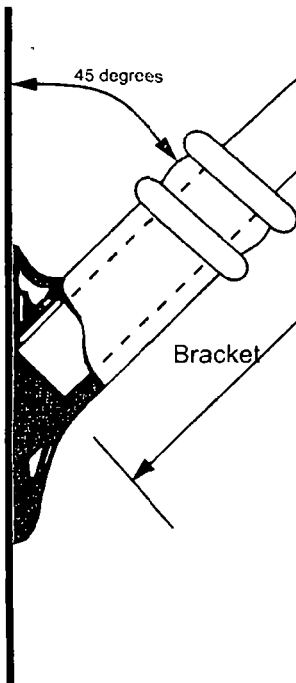
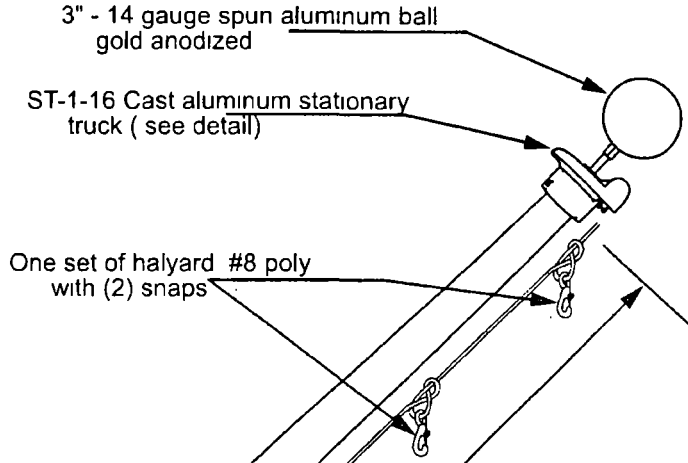
Walter Burnett Jr. 27th Ward

Model ECOM 8

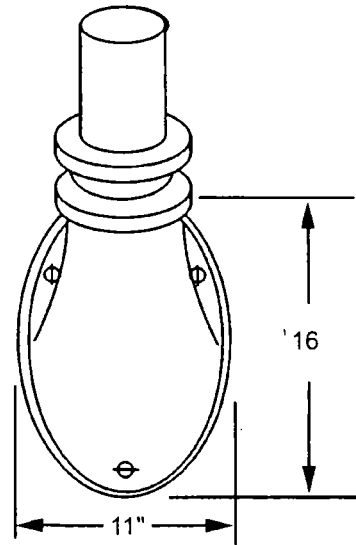


Truck Detail

Cast aluminum construction
Cast nylon pulley
3/16" stainless steel axle



Bracket Detail



Project	Ground set tapered aluminum flagpole ALLOY 6063T6	EDER FLAG	Date
Location	Exposed height 8 0	Overall height 8 0	MANUFACTURING COMPANY
Architect	Ship in 1 section	Butt diameter 2 3/8	1000 W Rawson Avenue
Contractor	Top diameter 1 7/8	Wall thickness 140	Oak Creek WI 53154
Customer	Finish 100 grit polish		Job