



City of Chicago



O2014-7637

Office of the City Clerk

Document Tracking Sheet

Meeting Date:	9/10/2014
Sponsor(s):	Chandler (24)
Type:	Ordinance
Title:	Grant(s) of privilege in public way for Pulaski Dollar & Food, Inc.
Committee(s) Assignment:	Committee on Transportation and Public Way

ORDINANCE
PULASKI DOLLAR & FOOD, INC.
Acct. No. 348216 - 1
Permit No. 1108573

Be It Ordained by the City Council of the City of Chicago:

SECTION 1. Permission and authority are hereby given and granted to PULASKI DOLLAR & FOOD, INC., upon the terms and subject to the conditions of this ordinance to maintain and use one (1) sign(s) projecting over the public right-of-way attached to its premises known as 737 S. Pulaski Rd..

Said sign structure(s) measures as follows; along S PULASKI RD:
One (1) at four (4) feet in length, five (5) feet in height and nine (9) feet above grade level.

The location of said privilege shall be as shown on prints kept on file with the Department of Business Affairs and Consumer Protection and the Office of the City Clerk.

Said privilege shall be constructed in accordance with plans and specifications approved by the Department of Transportation (Division of Project Development) and Zoning Department - Signs.

This grant of privilege in the public way shall be subject to the provisions of Section 10-28-015 and all other required provisions of the Municipal Code of Chicago.

The grantee shall pay to the City of Chicago as compensation for the privilege #1108573 herein granted the sum of one hundred (\$100.00) per annum in advance.

A 25% penalty will be added for payments received after due date.

The permit holder agrees to hold the City of Chicago harmless for any damage, relocation or replacement costs associated with damage, relocation or removal of private property caused by the City performing work in the public way.

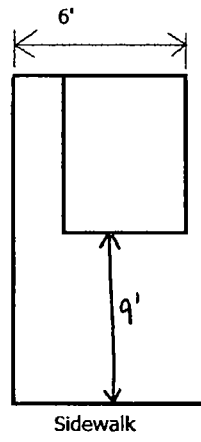
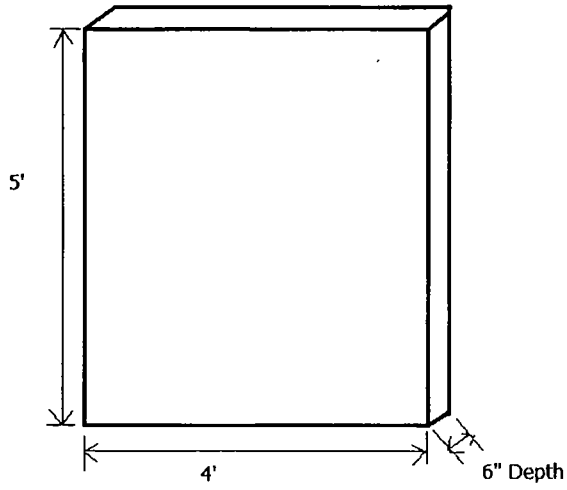
Authority herein given and granted for a period of five (5) years from and after Date of Passage.

Alderman 

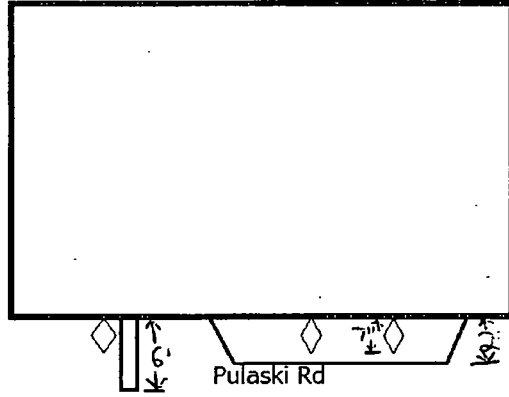
Michael D. Chandler 24th Ward

PULASKI DOLLAR & FOOD
737 S. PULASKI


SIGN DRAWING



Pulaski Dollar & Food Inc
737 S. Pulaski
Chicago, IL 60624



 = Sign

 = Light Fixture

 = Awning



09/10/2014

Alderman Michael D. Chandler
Ward # 24
City of Chicago
City Hall, Room 203
121 North LaSalle Street
Chicago, Illinois 60602

Re: An ordinance to use and maintain a portion of the public right-of-way for **one (1) sign(s)** for
PULASKI DOLLAR & FOOD, INC., adjacent to the premises known as **737 S. Pulaski Rd.**.

Dear Alderman **Michael D. Chandler**:

The applicant referenced above has requested the use of the public right-of-way for a **sign(s)**. An ordinance has been prepared by the Department of Business Affairs and Consumer Protection – Small Business Center - Public Way Use Unit for presentation to the City Council. Because this request was made for properties located in your ward, as approved by you as per the attached, I respectfully request that you introduce the attached ordinance at the next City Council meeting.

If you have any questions regarding this ordinance, please contact Anthony Bertuca at (312) 744-5506.

Department of Business Affairs and Consumer Protection