



# City of Chicago



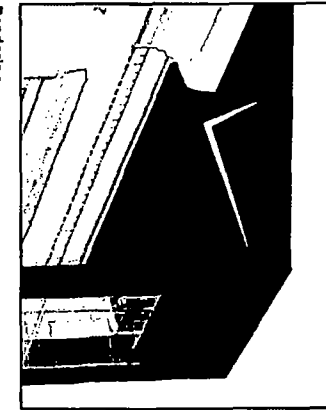
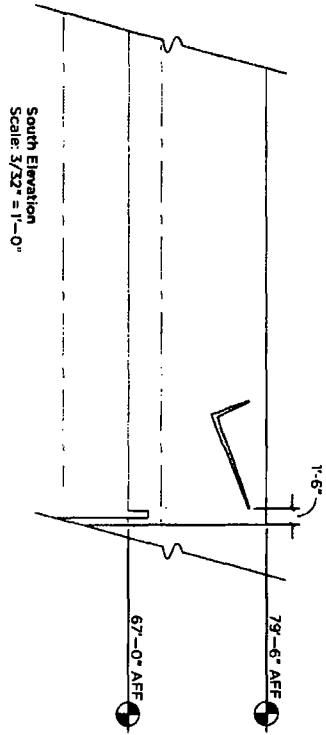
Or2013-760

Office of the City Clerk

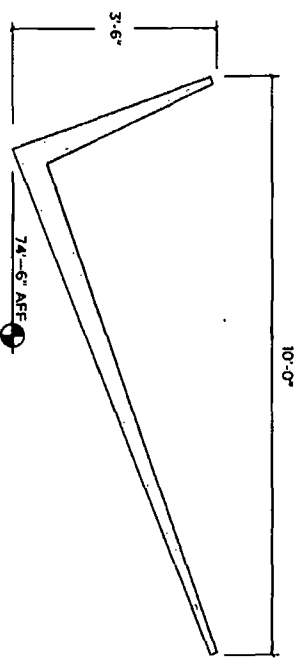
## Document Tracking Sheet

<b>Meeting Date:</b>	12/11/2013
<b>Sponsor(s):</b>	Reilly (42)
<b>Type:</b>	Order
<b>Title:</b>	Issuance of permits for sign(s)/signboard(s) at 840 N Michigan Ave
<b>Committee(s) Assignment:</b>	Committee on Zoning, Landmarks and Building Standards

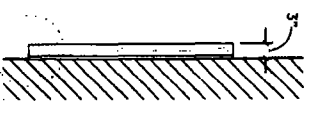




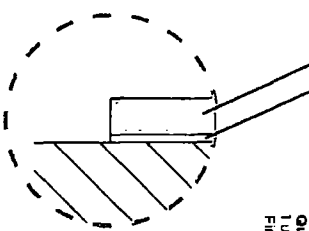
Rendering  
Scale: None



GK-EX-04  
Front View  
Scale: 1/2" = 1'-0"



Side View



Detail Side View

Internally illuminated  
Opaque white  
Quantity: 1 of each  
Final quantities TBD by client

**Fabrication Intent:**  
Dimensional, individual letter logo with faces and returns in an opaque gloss white finish, mounted flush with granite fascia. Returns are partially illuminated to mimic halo lighting.

**Approximate Size:**  
10'-0" w x 3'-6" h  
35 sf

**chute**  
GERDMANN

7000 Lake Washington Blvd  
400 South Harbor Street  
Bellevue, WA 98004  
425.454.2000

**CLIENT CONTACT**  
Name: [Redacted]  
Title: [Redacted]  
Phone: [Redacted]  
Email: [Redacted]

**CLIENT INFO**  
Project Name: [Redacted]  
Project Location: [Redacted]

**PROJECT VERSION**  
4-20-2020  
1-10-2020

**DATE ISSUED**  
11/25/20

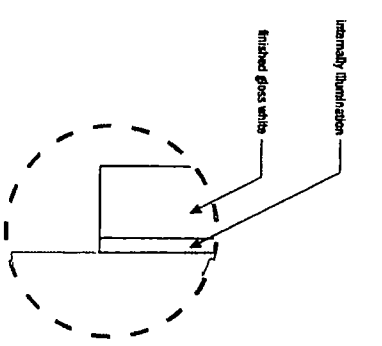
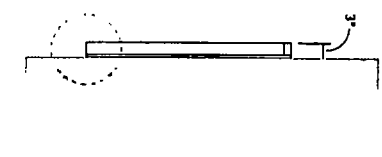
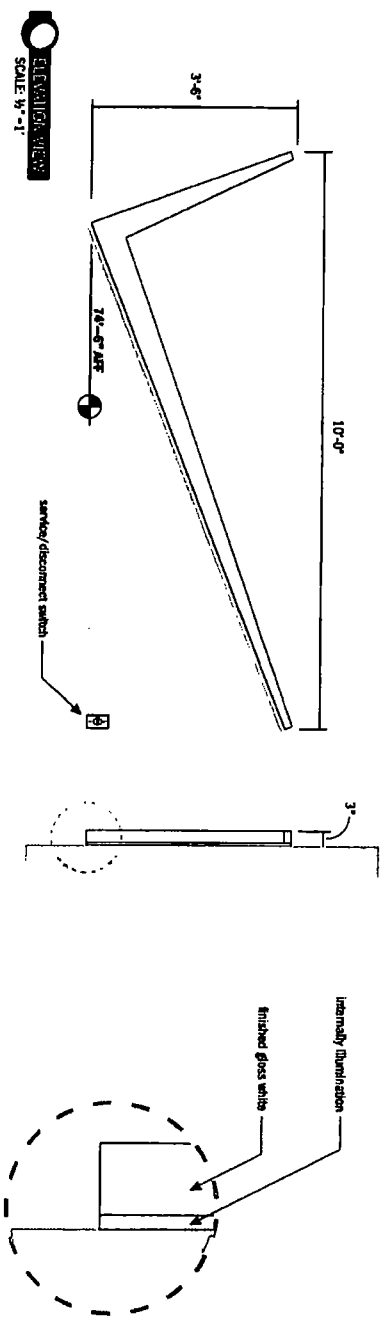
**GK-EX-04**  
7 of 7

Images provided are  
not for construction



1440 Park Boulevard Blvd. - Birmingham, Alabama 35226  
 Phone: 205-988-8800 Fax: 205-988-8801  
 Website: www.gablesigns.com

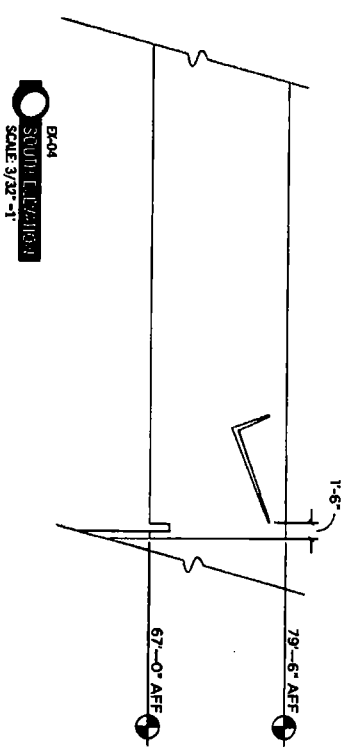
Project Name: **REDACTED**  
 Project Location: **REDACTED**  
 Client: **REDACTED**  
 Designer: **REDACTED**  
 Date: **REDACTED**



**ELEVATION VIEW**  
SCALE: 1/4" = 1'

**SIDE VIEW**  
SCALE: 1/4" = 1'

**SIDE DETAIL**  
SCALE: 3" = 1'



**ELEVATION VIEW**  
SCALE: 3/32" = 1'

NO.	DESCRIPTION	QUANTITY	UNIT	PRICE	TOTAL
1	ALUMINUM SIGN	1	EA	1500	1500
2	GLASS	1	EA	1500	1500
3	ILLUMINATION	1	EA	1500	1500
4	WIRING	1	EA	1500	1500
5	CONCRETE	1	EA	1500	1500
6	PAINT	1	EA	1500	1500
7	LABOR	1	EA	1500	1500
8	PERMITS	1	EA	1500	1500
9	DELIVERY	1	EA	1500	1500
10	INSTALLATION	1	EA	1500	1500
11	MAINTENANCE	1	EA	1500	1500
12	REMOVAL	1	EA	1500	1500
13	DEMOLITION	1	EA	1500	1500
14	DISPOSAL	1	EA	1500	1500
15	TRAVEL	1	EA	1500	1500
16	MEALS	1	EA	1500	1500
17	HOUSING	1	EA	1500	1500
18	UTILITIES	1	EA	1500	1500
19	INSURANCE	1	EA	1500	1500
20	LIABILITY	1	EA	1500	1500
21	WARRANTY	1	EA	1500	1500
22	CONTINGENCY	1	EA	1500	1500
23	TOTAL				

**PERMITS AND APPROVALS**  
 CLIENT/LANDLORD APPROVAL:  APPROVED  
 CITY APPROVAL:  APPROVED  
 STATE APPROVAL:  APPROVED  
 FEDERAL APPROVAL:  APPROVED

PROJECT NO: **0930SAR**  
 DATE: **13 of 14**  
 DRAWING NO: **EK-04**

This drawing is the property of Gablesigns & Graphics, Inc. It is intended for your consideration in the purchase of the product(s) manufacturer according to their plan. The design cannot be copied or used in any manner without written permission of Gablesigns & Graphics, Inc. Copyright and trademark are hereby acknowledged and reserved by Gablesigns & Graphics, Inc.



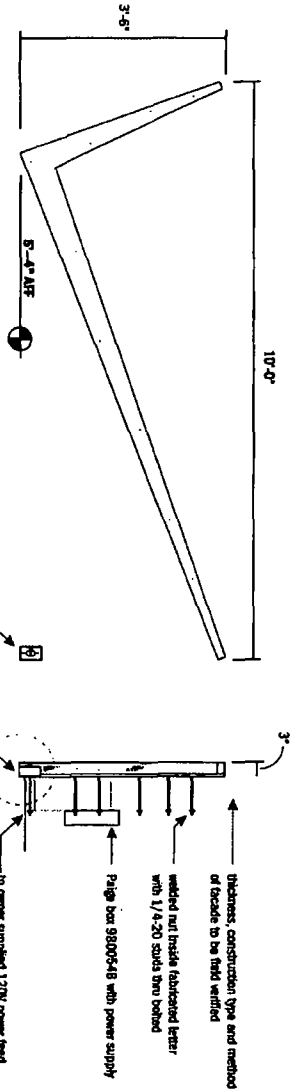
14400 Redwood Road, Richmond, California 94804  
 Phone: (925) 938-2200 Fax: (925) 938-2201  
 Website: www.gablesigns.com

Customer Name: **REDACTED**  
 Project Address: **REDACTED**  
 City/State/Zip: **REDACTED**  
 Phone: **REDACTED**  
 Fax: **REDACTED**  
 E-mail: **REDACTED**  
 Project Manager: **REDACTED**  
 Date: **REDACTED**

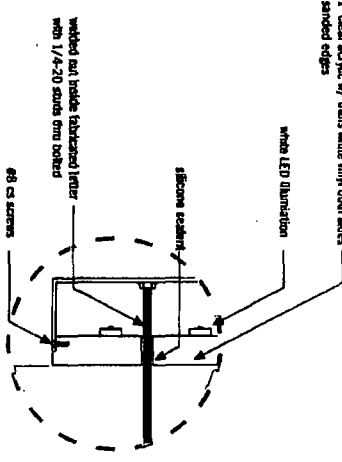
ITEM #	DESCRIPTION	QUANTITY	UNIT PRICE	TOTAL PRICE
1	120V POWER SUPPLY	1	120.00	120.00
2	3800548 PALP BOX	1	120.00	120.00
3	120V POWER SUPPLY	1	120.00	120.00
4	3800548 PALP BOX	1	120.00	120.00
5	120V POWER SUPPLY	1	120.00	120.00
6	3800548 PALP BOX	1	120.00	120.00
7	120V POWER SUPPLY	1	120.00	120.00
8	3800548 PALP BOX	1	120.00	120.00
9	120V POWER SUPPLY	1	120.00	120.00
10	3800548 PALP BOX	1	120.00	120.00
11	120V POWER SUPPLY	1	120.00	120.00
12	3800548 PALP BOX	1	120.00	120.00
13	120V POWER SUPPLY	1	120.00	120.00
14	3800548 PALP BOX	1	120.00	120.00
15	120V POWER SUPPLY	1	120.00	120.00
16	3800548 PALP BOX	1	120.00	120.00
17	120V POWER SUPPLY	1	120.00	120.00
18	3800548 PALP BOX	1	120.00	120.00
19	120V POWER SUPPLY	1	120.00	120.00
20	3800548 PALP BOX	1	120.00	120.00
21	120V POWER SUPPLY	1	120.00	120.00
22	3800548 PALP BOX	1	120.00	120.00
23	120V POWER SUPPLY	1	120.00	120.00
24	3800548 PALP BOX	1	120.00	120.00
25	120V POWER SUPPLY	1	120.00	120.00
26	3800548 PALP BOX	1	120.00	120.00
27	120V POWER SUPPLY	1	120.00	120.00
28	3800548 PALP BOX	1	120.00	120.00
29	120V POWER SUPPLY	1	120.00	120.00
30	3800548 PALP BOX	1	120.00	120.00
31	120V POWER SUPPLY	1	120.00	120.00
32	3800548 PALP BOX	1	120.00	120.00
33	120V POWER SUPPLY	1	120.00	120.00
34	3800548 PALP BOX	1	120.00	120.00
35	120V POWER SUPPLY	1	120.00	120.00
36	3800548 PALP BOX	1	120.00	120.00
37	120V POWER SUPPLY	1	120.00	120.00
38	3800548 PALP BOX	1	120.00	120.00
39	120V POWER SUPPLY	1	120.00	120.00
40	3800548 PALP BOX	1	120.00	120.00
41	120V POWER SUPPLY	1	120.00	120.00
42	3800548 PALP BOX	1	120.00	120.00
43	120V POWER SUPPLY	1	120.00	120.00
44	3800548 PALP BOX	1	120.00	120.00
45	120V POWER SUPPLY	1	120.00	120.00
46	3800548 PALP BOX	1	120.00	120.00
47	120V POWER SUPPLY	1	120.00	120.00
48	3800548 PALP BOX	1	120.00	120.00
49	120V POWER SUPPLY	1	120.00	120.00
50	3800548 PALP BOX	1	120.00	120.00
51	120V POWER SUPPLY	1	120.00	120.00
52	3800548 PALP BOX	1	120.00	120.00
53	120V POWER SUPPLY	1	120.00	120.00
54	3800548 PALP BOX	1	120.00	120.00
55	120V POWER SUPPLY	1	120.00	120.00
56	3800548 PALP BOX	1	120.00	120.00
57	120V POWER SUPPLY	1	120.00	120.00
58	3800548 PALP BOX	1	120.00	120.00
59	120V POWER SUPPLY	1	120.00	120.00
60	3800548 PALP BOX	1	120.00	120.00
61	120V POWER SUPPLY	1	120.00	120.00
62	3800548 PALP BOX	1	120.00	120.00
63	120V POWER SUPPLY	1	120.00	120.00
64	3800548 PALP BOX	1	120.00	120.00
65	120V POWER SUPPLY	1	120.00	120.00
66	3800548 PALP BOX	1	120.00	120.00
67	120V POWER SUPPLY	1	120.00	120.00
68	3800548 PALP BOX	1	120.00	120.00
69	120V POWER SUPPLY	1	120.00	120.00
70	3800548 PALP BOX	1	120.00	120.00
71	120V POWER SUPPLY	1	120.00	120.00
72	3800548 PALP BOX	1	120.00	120.00
73	120V POWER SUPPLY	1	120.00	120.00
74	3800548 PALP BOX	1	120.00	120.00
75	120V POWER SUPPLY	1	120.00	120.00
76	3800548 PALP BOX	1	120.00	120.00
77	120V POWER SUPPLY	1	120.00	120.00
78	3800548 PALP BOX	1	120.00	120.00
79	120V POWER SUPPLY	1	120.00	120.00
80	3800548 PALP BOX	1	120.00	120.00
81	120V POWER SUPPLY	1	120.00	120.00
82	3800548 PALP BOX	1	120.00	120.00
83	120V POWER SUPPLY	1	120.00	120.00
84	3800548 PALP BOX	1	120.00	120.00
85	120V POWER SUPPLY	1	120.00	120.00
86	3800548 PALP BOX	1	120.00	120.00
87	120V POWER SUPPLY	1	120.00	120.00
88	3800548 PALP BOX	1	120.00	120.00
89	120V POWER SUPPLY	1	120.00	120.00
90	3800548 PALP BOX	1	120.00	120.00
91	120V POWER SUPPLY	1	120.00	120.00
92	3800548 PALP BOX	1	120.00	120.00
93	120V POWER SUPPLY	1	120.00	120.00
94	3800548 PALP BOX	1	120.00	120.00
95	120V POWER SUPPLY	1	120.00	120.00
96	3800548 PALP BOX	1	120.00	120.00
97	120V POWER SUPPLY	1	120.00	120.00
98	3800548 PALP BOX	1	120.00	120.00
99	120V POWER SUPPLY	1	120.00	120.00
100	3800548 PALP BOX	1	120.00	120.00

Reduction in font size:  
 Dimensional, individual letter height in  
 stainless steel or chrome, minimum 0.125  
 inch (1/8 inch) to 0.1875 inch (3/16 inch) are  
 normally specified unless otherwise indicated by client.

CLIENT APPROVAL  
 DATE: \_\_\_\_\_  
 SIGNATURE: \_\_\_\_\_  
 PROJECT NUMBER: **08303AR**  
 PAGE: **14 of 14**



TOP ELEVATION VIEW  
 SCALE: 1/4"=1'-0"



SIDE VIEW  
 SCALE: 3/4"=1'-0"

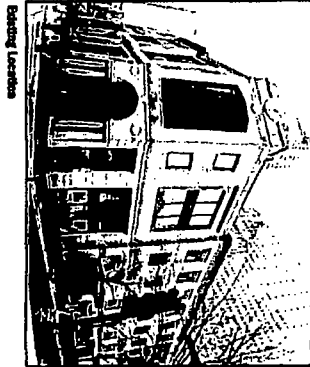
The drawing remains the exclusive property of Gablesigns & Displays, Inc. It is intended for your convenience in the production of the product(s) manufactured according to these plans. No design patent is claimed in whole or in part, claimed or intended to any person without the prior written consent of Gablesigns & Displays, Inc. Drawings are provided as-is and are not to be used for any other purpose without the prior written consent of Gablesigns & Displays, Inc.

Customer Name: **STANLEY STEIN**  
 Project Address: **1117 1/2 W. 14th**  
 City/State/Zip: **DENVER CO 80202**  
 Phone: **303 733 1100**  
 Fax: **303 733 1101**  
 Project Manager: **COMPASSION UNIT**

NO.	DESCRIPTION	QUANTITY	UNIT PRICE	TOTAL
1	EXTERIOR SIGNAGE	1	100	100
2	INTERIOR SIGNAGE	1	100	100
3	PERMITS	1	100	100
4	TRAVEL	1	100	100
5	RENDERING	1	100	100
6	DESIGN	1	100	100
7	INSTALLATION	1	100	100
8	MAINTENANCE	1	100	100
9	REMOVAL	1	100	100
10	OTHER	1	100	100

**CLIENT APPROVAL**  
 I have read and approved the above information and agree to the terms and conditions of the contract.  
 Signature: \_\_\_\_\_ Date: \_\_\_\_\_

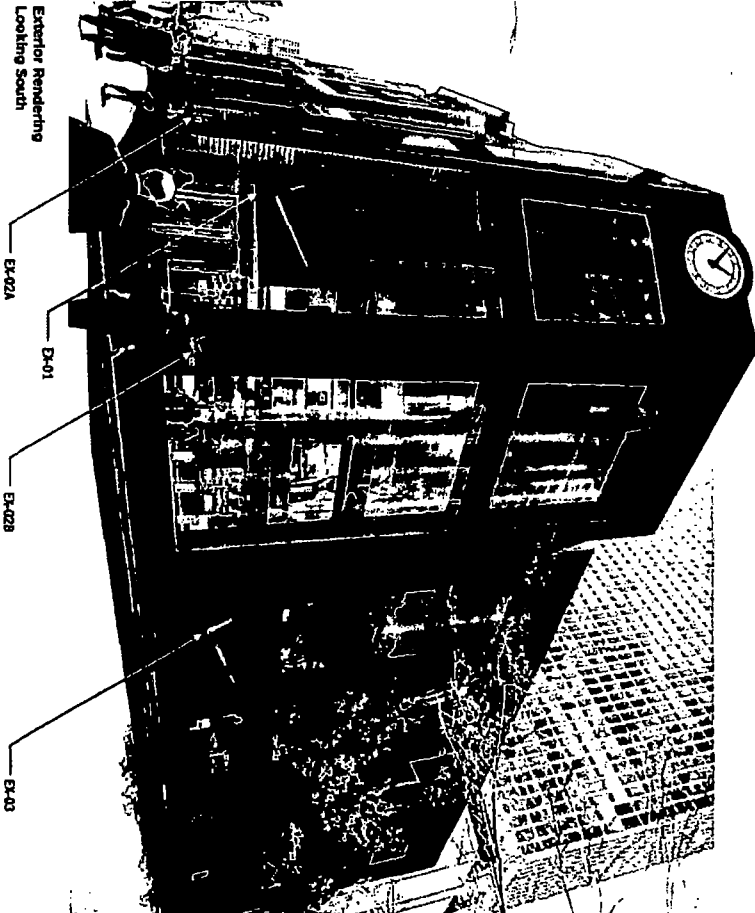
**CLIENT SIGNATURE**  
 \_\_\_\_\_  
 DATE: \_\_\_\_\_



Exterior Rendering Looking West



Exterior Rendering Looking South



Exterior Rendering Looking South

Signage Item	Area	Area (sq ft)
EX-01	74 sq ft	74 sq ft
EX-02A	9.5 sq ft	9.5 sq ft
EX-02B	9.5 sq ft	9.5 sq ft
EX-03	35 sq ft	35 sq ft
EX-04	35 sq ft	35 sq ft
<b>Signage Total</b>	<b>163 sq ft</b>	

Project Name: **Exterior Rendering**  
 Project Number: **0930SAR** 5 of 14

The drawing contains the intellectual property of GableSigns & Company, Inc. It is intended for your consideration in the purchase of our products manufactured according to these plans. The design cannot be copied or used in any manner without the prior written permission of GableSigns & Company, Inc. Completion and installation of any signage must be completed in accordance with these plans.

