



# City of Chicago



O2017-2742

## Office of the City Clerk Document Tracking Sheet

<b>Meeting Date:</b>	3/29/2017
<b>Sponsor(s):</b>	Reilly (42)
<b>Type:</b>	Ordinance
<b>Title:</b>	Canopy(s) for Fairbanks At Cityfront Plaza Condo
<b>Committee(s) Assignment:</b>	Committee on Transportation and Public Way

ORDINANCE  
FAIRBANKS AT CITYFRONT PLAZA CONDOMINIUM  
Acct. No. 368349 - 1  
Permit No. 1125930

*Be It Ordained by the City Council of the City of Chicago:*

SECTION 1. Permission and authority are hereby given and granted to FAIRBANKS AT CITYFRONT PLAZA CONDOMINIUM, upon the terms and subject to the conditions of this ordinance to maintain and use, as now constructed, one (1) Canopy(s) projecting over the public right-of-way adjacent to its premises known as 240 E. Illinois St..

Said Canopy(s) at E. Illinois measure(s):

One (1) at twenty-seven (27) feet in length, and eleven (11) feet in width for a total of two hundred ninety-seven (297) square feet.

The location of said privilege shall be as shown on prints kept on file with the Department of Business Affairs and Consumer Protection and the Office of the City Clerk.

Said privilege shall be constructed in accordance with plans and specifications approved by the Zoning Department - Signs.

This grant of privilege in the public way shall be subject to the provisions of Section 10-28-015 and all other required provisions of the Municipal Code of Chicago.

The grantee shall pay to the City of Chicago as compensation for the privilege #1125930 herein granted the sum of fifty-two (\$52.00) per annum in advance.

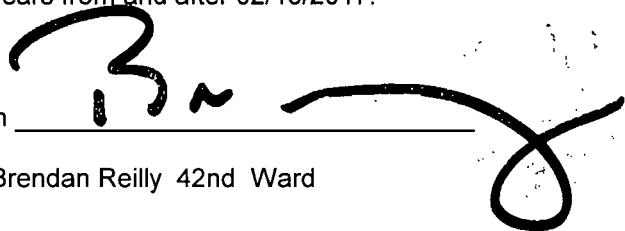
A 25% penalty will be added for payments received after due date.

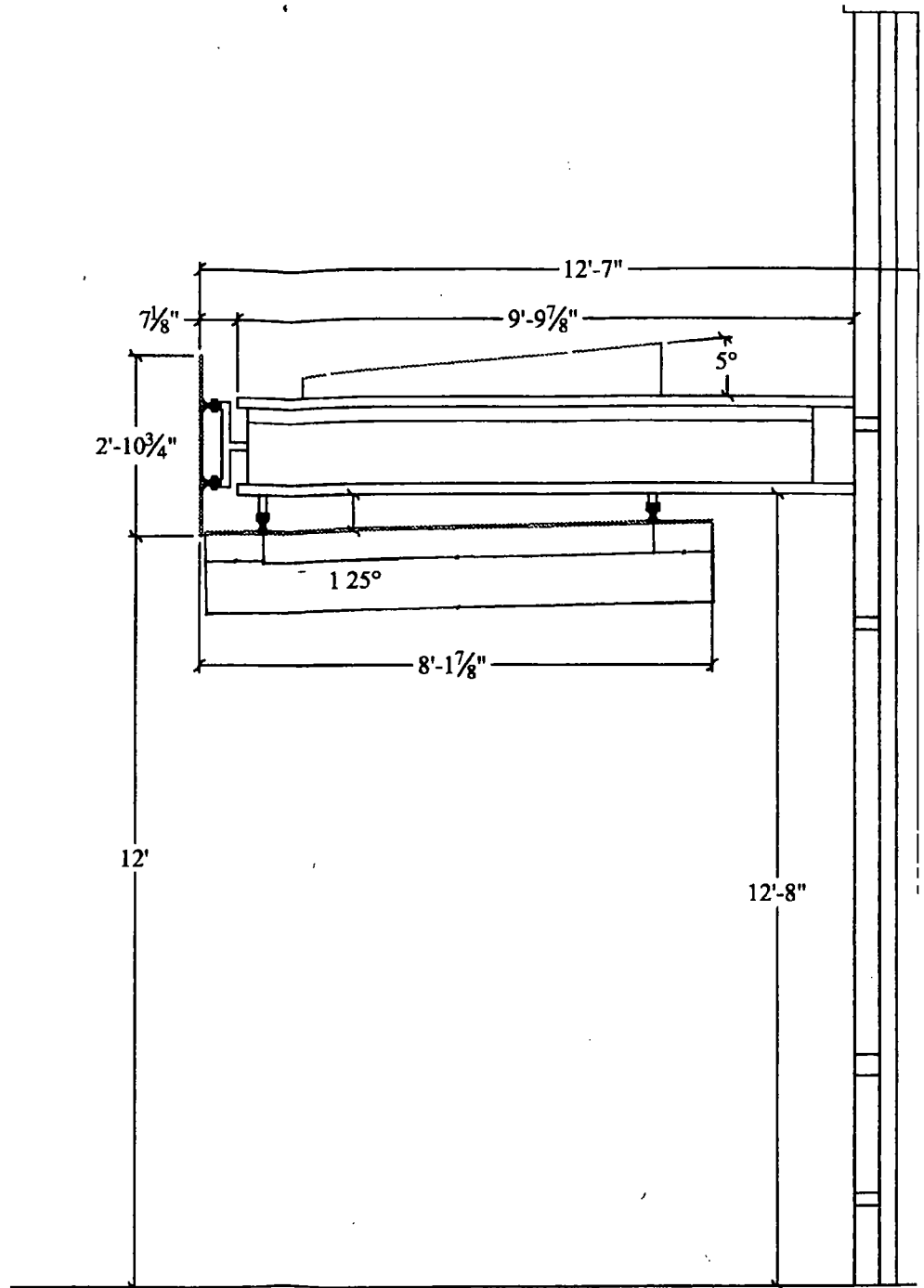
The permit holder agrees to hold the City of Chicago harmless for any damage, relocation or replacement costs associated with damage, relocation or removal of private property caused by the City performing work in the public way.

Authority herein given and granted for a period of five (5) years from and after 02/15/2017.

Alderman \_\_\_\_\_

Brendan Reilly 42nd Ward

A large, stylized handwritten signature in black ink, appearing to read 'B. Reilly', is written over a horizontal line. The signature is fluid and cursive, with a large loop at the end.



03 Canopy Side Elevation  
Scale 3/8" = 1'-0" Ref A-4C35 B6