



City of Chicago



O2013-6373

Office of the City Clerk

Document Tracking Sheet

Meeting Date:	9/11/2013
Sponsor(s):	Moreno, Proco Joe (1)
Type:	Ordinance
Title:	Grant(s) of privilege in public way for Starbuck's Coffee No. 2636
Committee(s) Assignment:	Committee on Transportation and Public Way

ORDINANCE
STARBUCK'S COFFEE #2636
Acct. No. 63414 - 92
Permit No. 1107773

Be It Ordained by the City Council of the City of Chicago:

SECTION 1. Permission and authority are hereby given and granted to STARBUCK'S COFFEE #2636, upon the terms and subject to the conditions of this ordinance to maintain and use two (2) sign(s) projecting over the public right-of-way attached to its premises known as 1701 W. Division St..

Said sign structure(s) measures as follows; along W. Division Street:

One (1) at ten (10) feet in length, two point four two (2.42) feet in height and ten (10) feet above grade level.

One (1) at point five (.5) feet in length, two point five (2.5) feet in height and ten (10) feet above grade level.

The location of said privilege shall be as shown on prints kept on file with the Department of Business Affairs and Consumer Protection and the Office of the City Clerk.

Said privilege shall be constructed in accordance with plans and specifications approved by the Department of Transportation (Division of Project Development) and Zoning Department - Signs.

This grant of privilege in the public way shall be subject to the provisions of Section 10-28-015 and all other required provisions of the Municipal Code of Chicago.

The grantee shall pay to the City of Chicago as compensation for the privilege #1107773 herein granted the sum of one hundred seventy-five (\$175.00) per annum in advance.

A 25% penalty will be added for payments received after due date.

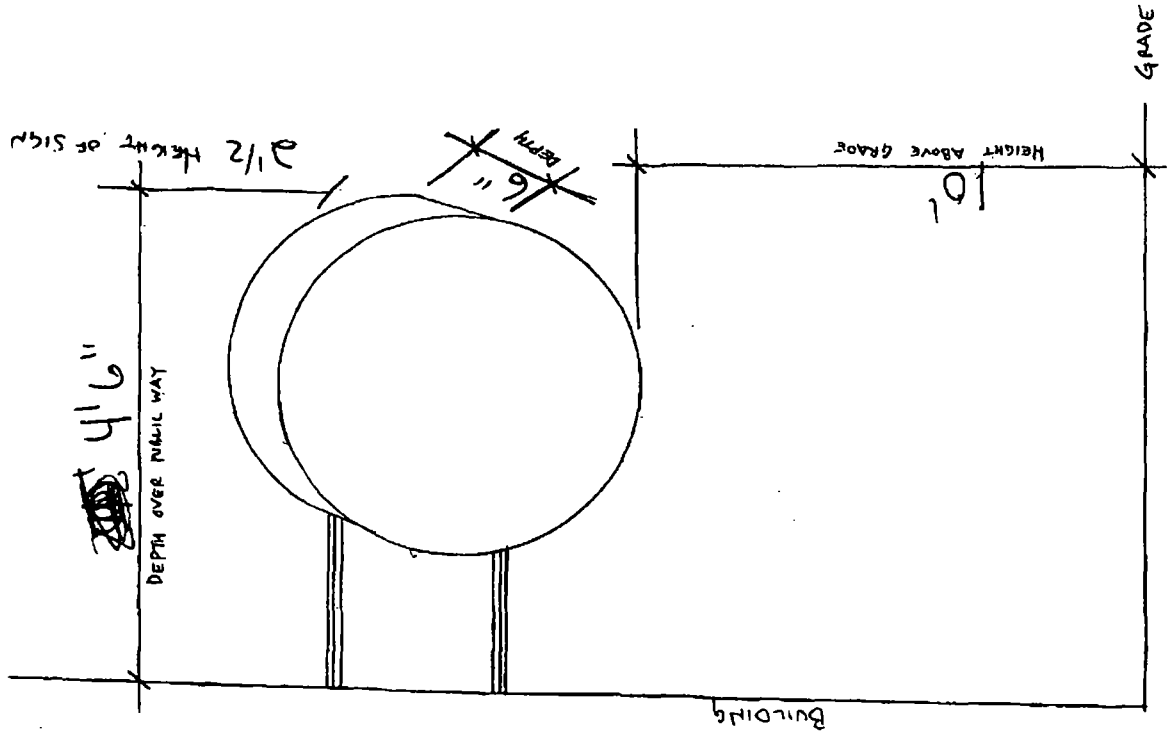
The permit holder agrees to hold the City of Chicago harmless for any damage, relocation or replacement costs associated with damage, relocation or removal of private property caused by the City performing work in the public way.

Authority herein given and granted for a period of five (5) years from and after 06/11/2013.

Alderman _____



Proco Joe Moreno 1st Ward



1701 W. Division

27



09/11/2013

Alderman **Proco Joe Moreno**
Ward # **01**
City of Chicago
City Hall, Room **300**
121 North LaSalle Street
Chicago, Illinois 60602

Re: An ordinance to use and maintain a portion of the public right-of-way for **two (2) sign(s)** for **STARBUCK'S COFFEE #2636**, adjacent to the premises known as **1701 W. Division St.**.

Dear Alderman **Proco Joe Moreno**:

The applicant referenced above has requested the use of the public right-of-way for a **sign(s)**. An ordinance has been prepared by the Department of Business Affairs and Consumer Protection – Business Assistance Center - Public Way Use Unit for presentation to the City Council. Because this request was made for properties located in your ward, as approved by you as per the attached, I respectfully request that you introduce the attached ordinance at the next City Council meeting.

If you have any questions regarding this ordinance, please contact Anthony Bertuca at (312) 744-5506.

Department of Business Affairs and Consumer Protection