



# Office of the City Clerk



O2012-5417

Office of the City Clerk

## City Council Document Tracking Sheet

**Meeting Date:** 7/25/2012

**Sponsor(s):** Pawar, Ameya (47)

**Type:** Ordinance

**Title:** Grant(s) of privilege in public way for M & M Financial Consulting, Inc.

**Committee(s) Assignment:** Committee on Transportation and Public Way

ORDINANCE  
M & M FINANCIAL CONSULTING, INC.  
Acct. No. 295610 - 2  
Permit No. 1095744

*Be It Ordained by the City Council of the City of Chicago:*

SECTION 1. Permission and authority are hereby given and granted to M & M FINANCIAL CONSULTING, INC., upon the terms and subject to the conditions of this ordinance to maintain and use one (1) sign(s) projecting over the public right-of-way attached to its premises known as 3947 N. Ashland Ave..

Said sign structure(s) measures as follows; along N. Ashland:

One (1) at five (5) feet in length, three point five (3.5) feet in height and ten (10) feet above grade level.

The location of said privilege shall be as shown on prints kept on file with the Department of Business Affairs and Consumer Protection and the Office of the City Clerk.

Said privilege shall be constructed in accordance with plans and specifications approved by the Department of Transportation (Division of Project Development) and Zoning Department - Signs.

This grant of privilege in the public way shall be subject to the provisions of Section 10-28-015 and all other required provisions of the Municipal Code of Chicago.

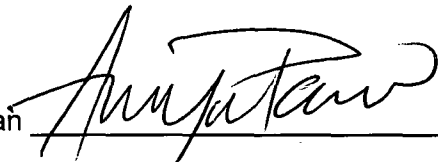
The grantee shall pay to the City of Chicago as compensation for the privilege #1095744 herein granted the sum of one hundred (\$100.00) per annum in advance.

A 25% penalty will be added for payments received after due date.

The permit holder agrees to hold the City of Chicago harmless for any damage, relocation or replacement costs associated with damage, relocation or removal of private property caused by the City performing work in the public way.

Authority herein given and granted for a period of five (5) years from and after Date of Passage.

Alderman

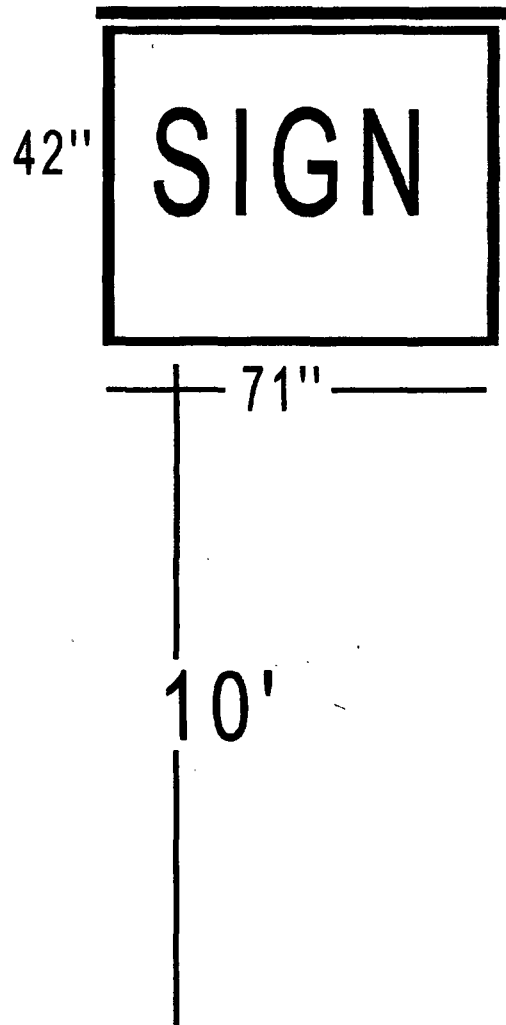
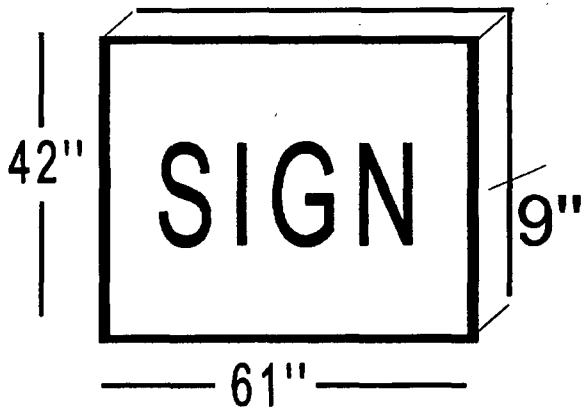


Ameya Pawar 47<sup>th</sup> Ward

MM FINANCIAL CONSULTING  
3947 N. ASHLAND AVE  
CHICAGO, IL 60613

Building

Sign hanging  
over sidewalk



sidewalk



**07/25/2012**

Alderman **Ameya Pawar**  
Ward # 47  
City of Chicago  
City Hall, Room 300  
121 North LaSalle Street  
Chicago, Illinois 60602

Re: An ordinance to use and maintain a portion of the public right-of-way for **one (1) sign(s)** for **M & M FINANCIAL CONSULTING, INC.**, adjacent to the premises known as **3947 N. Ashland Ave.**.

Dear Alderman **Ameya Pawar**:

The applicant referenced above has requested the use of the public right-of-way for a **sign(s)**. An ordinance has been prepared by the Department of Business Affairs and Consumer Protection – Business Assistance Center - Public Way Use Unit for presentation to the City Council. Because this request was made for properties located in your ward, as approved by you as per the attached, I respectfully request that you introduce the attached ordinance at the next City Council meeting.

If you have any questions regarding this ordinance, please contact Anthony Bertuca at (312) 744-5506.

**Department of Business Affairs and Consumer Protection**