



City of Chicago



O2019-6702

Office of the City Clerk

Document Tracking Sheet

Meeting Date:	9/9/2019
Sponsor(s):	Napolitano (41)
Type:	Ordinance
Title:	Grant(s) of privilege in public way for Abell Animal Hospital
Committee(s) Assignment:	Committee on Transportation and Public Way

Direct Intro
41

ORDINANCE
ABELL ANIMAL HOSPITAL
Acct. No. 380379 - 1
Permit No. 1141519

Be It Ordained by the City Council of the City of Chicago:

SECTION 1. Permission and authority are hereby given and granted to ABELL ANIMAL HOSPITAL, upon the terms and subject to the conditions of this ordinance to maintain and use two (2) sign(s) projecting over the public right-of-way attached to its premises known as 6032 N. Northwest Hwy..

Said sign structure(s) measures as follows; along N. NORTHWEST HIGHWAY:

One (1) at ten (10) feet in length, four point two five (4.25) feet in height and fifteen (15) feet above grade level.

One (1) at two point six seven (2.67) feet in length, six (6) feet in height and thirteen (13) feet above grade level.

The location of said privilege shall be as shown on prints kept on file with the Department of Business Affairs and Consumer Protection and the Office of the City Clerk.

Said privilege shall be constructed in accordance with plans and specifications approved by the Department of Transportation (Division of Project Development) and Zoning Department - Signs.

This grant of privilege in the public way shall be subject to the provisions of Section 10-28-015 and all other required provisions of the Municipal Code of Chicago.

The grantee shall pay to the City of Chicago as compensation for the privilege; #1141519 herein granted the sum of four hundred (\$400.00) per annum in advance.

A 25% penalty will be added for payments received after due date.

The permit holder agrees to hold the City of Chicago harmless for any damage, relocation or replacement costs associated with damage, relocation or removal of private property caused by the City performing work in the public way.

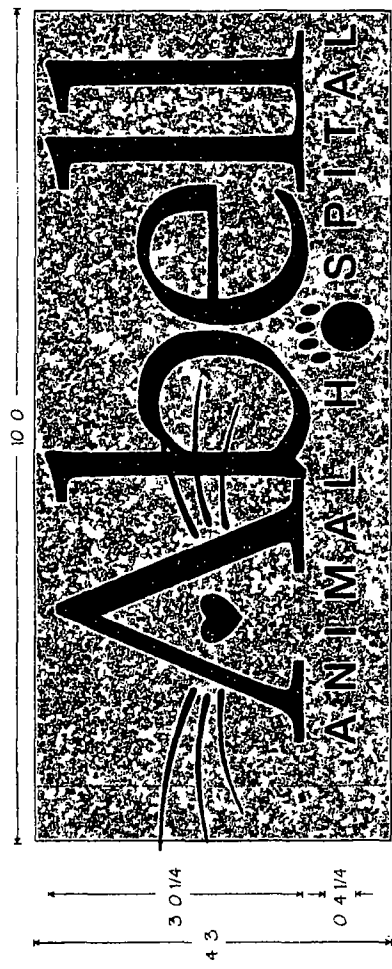
Authority herein given and granted for a period of five (5) years from and after Date of Passage.

Alderman _____

Anthony V. Napolitano 41st Ward

© Aurora Sign Co. Inc. 2019

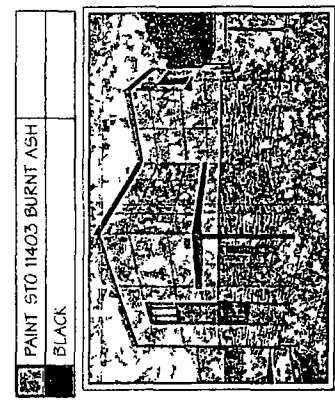
AURORA SIGN CO.
 1100 ROUTE 34
 AURORA, ILLINOIS 60503
 630.898.5900 OFFICE
 630.898.6091 FAX



INDIVIDUAL SILHOUETTE ILLUMINATED LETTERS ON PANFACE

FABRICATE AND INSTALL LETTERS OF ALUMINUM AND LEXAN
 FACES AND RETURNS TO BE ALUMINUM PAINTED IN COLORS SHOWN
 LETTERBACKS TO BE CLEAR LEXAN
 WHISKERS TO BE CNC CUT 1/2" ACRYLIC ON STAND OFFS
 PANFACE TO BE PAINTED TO MATCH 510 11403 BURNT ASH
 EXPOSED SURFACES TO BE COATED WITH ACRYLIC POLYURETHANE
 INTERNAL ILLUMINATION TO BE WHITE LEDS
 PHOTOCELL REQUIRED AT THIS LOCATION
 SCALE 3/4" = 1'

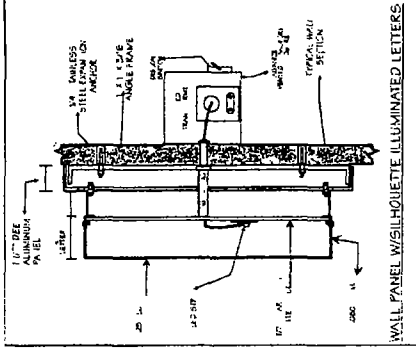
COLOR TO BE APPROVED
 BY CUSTOMER



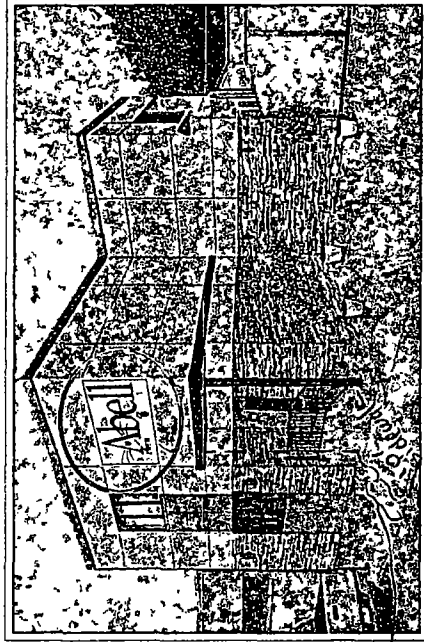
INSTALLATION INSTRUCTIONS

CENTER SIGN ON PANEL SHOWN
 CONNECT TO ELECTRICAL SERVICE
 TO BE PROVIDED BY OTHERS
 PRIOR TO INSTALL

Clearance 9'



SIGN TO BE UL LISTED



1100 Route 34 Aurora Illinois 60503 630.898.5900 office 630.898.6091 FAX EW	Prep and Pb Abell n N m	Address 6032 N NORTHWEST HWY CHICAGO IL	Drawn 190463	Sheet 6	Date 4/22/19	Customer Approval Signature [Signature]	Title [Blank]
NOTE: THIS DRAWING IS THE PROPERTY OF AURORA SIGN CO. IT IS NOT TO BE REPRODUCED, COPIED, OR EXHIBITED IN ANY FASHION WITHOUT WRITTEN CONSENT FROM AURORA SIGN CO. CHARGES OF UP TO \$200.00 WILL BE ASSESSED FOR ANY MIS USE OF THESE DRAWINGS.							Date [Blank]



07/24/2019

Alderman **Anthony V. Napolitano**
Ward # **41**
City of Chicago
City Hall, Room **200**
121 North LaSalle Street
Chicago, Illinois 60602

Re: An ordinance to use and maintain a portion of the public right-of-way for **two (2) sign(s)** for **ABELL ANIMAL HOSPITAL**, adjacent to the premises known as **6032 N. Northwest Hwy.**

Dear Alderman **Anthony V. Napolitano**:

The applicant referenced above has requested the use of the public right-of-way for a **sign(s)**. An ordinance has been prepared by the Department of Business Affairs and Consumer Protection – Small Business Center - Public Way Use Unit for presentation to the City Council. Because this request was made for properties located in your ward, as approved by you as per the attached, I respectfully request that you introduce the attached ordinance at the next City Council meeting.

If you have any questions regarding this ordinance, please contact Anthony Bertuca at (312) 744-5506.

Department of Business Affairs and Consumer Protection