



City of Chicago



O2019-3806

Office of the City Clerk Document Tracking Sheet

Meeting Date:	5/16/2019
Sponsor(s):	Silverstein (50)
Type:	Ordinance
Title:	Grant(s) of privilege in public way for MetroPCS
Committee(s) Assignment:	Committee on Transportation and Public Way

ORDINANCE
METRO PCS
Acct. No. 400694 - 1
Permit No. 1138642

Be It Ordained by the City Council of the City of Chicago:

SECTION 1. Permission and authority are hereby given and granted to METRO PCS, upon the terms and subject to the conditions of this ordinance to maintain and use one (1) sign(s) projecting over the public right-of-way attached to its premises known as 7450 N. Western Ave..

Said sign structure(s) measures as follows; along N. Western Avenue:

One (1) at thirteen point one six (13.16) feet in length, two (2) feet in height and twelve (12) feet above grade level.

The location of said privilege shall be as shown on prints kept on file with the Department of Business Affairs and Consumer Protection and the Office of the City Clerk.

Said privilege shall be constructed in accordance with plans and specifications approved by the Department of Transportation (Division of Project Development) and Zoning Department - Signs.

This grant of privilege in the public way shall be subject to the provisions of Section 10-28-015 and all other required provisions of the Municipal Code of Chicago.

The grantee shall pay to the City of Chicago as compensation for the privilege #1138642 herein granted the sum of three hundred (\$300.00) per annum in advance.

A 25% penalty will be added for payments received after due date.

The permit holder agrees to hold the City of Chicago harmless for any damage, relocation or replacement costs associated with damage, relocation or removal of private property caused by the City performing work in the public way.

Authority herein given and granted for a period of five (5) years from and after Date of Passage.

Alderman _____

Debra L. Silverstein 50th Ward

Front-Lit Plex-Face Channel Letters w/ LED • Raceway Mounted • Metro PCS



MPCS-CL-24-RW Illuminated Channel Letters on Raceway 24" Tall "PCS"

Raceway Color to match
Behr Vanilla Ice Cream

A Front-Lit, Plex-Face Channel Letters w/ LED, Raceway Mounted • Front View

SCALE 0/0 = 1 0 For Production / For Presentation

INTERNALLY ILLUMINATED PLASTIC FACE CHANNEL LETTERS

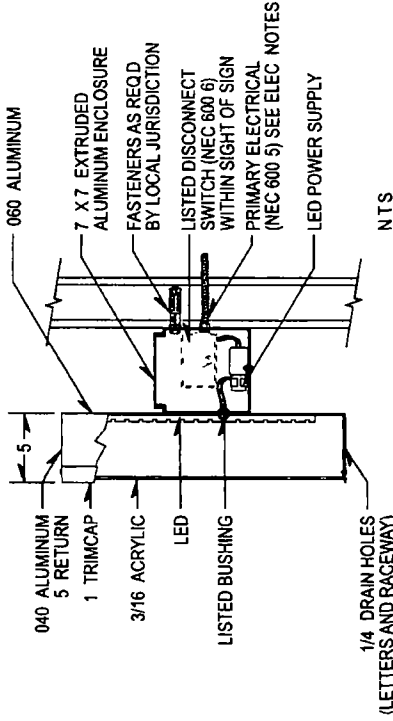
QUANTITY	ONE (1)
Overall Height	2 0"
Overall Length	13' 1 1/4"
Total Sq Ft	26 ft ²
Returns	PMSWnsco WHITE
Backs	PMSWnsco WHITE
Trimcap	WHITE
Face	WHITE
First surface translucent vinyl	
	Arlon #5590 3411 Orange Vinyl 3M #DN0048 MPCS Orange Vinyl
	Arlon #5590 3412 Purple Vinyl 3M #DN0049 MPCS Purple Vinyl

Illumination LED WHITE

NOTES

WHITE interiors for increased illumination
All paint two stage automotive acrylic

CHANNEL LETTER - TYPICAL SECTION - FRONT-LIT PLASTIC FACE



ELECTRICAL NOTES

Sign Company DOES NOT provide primary electrical to sign.
Power to the sign must be done by a licensed electrical contractor or licensed electrician.
Each sign must have:
1. A minimum of one dedicated 120V 20A circuit
2. Junction box installed within 6 feet of sign
3. Three wires: Line, Ground, Neutral



5500 N Kedzie Ave Chicago IL 60625
773 267 6007 | sales@tfasigns.com

Client Name
Metro PCS

Location
7450 N Western Chicago IL

Start Date
00/00/0000
Last Revision
00/00/0000
Job#
00000
Drawing#
00000a v1 s1 / e1
Page
1 of 4

• Client Approval

• Landlord Approval

Sales Rep
Seung Park
Designer
Peter Boateng





Department of Business Affairs and Consumer Protection
Small Business Center - Public Way Use Unit
City Hall - 121 N LaSalle Street, Room 800 • Chicago, IL 60602
312-74-GOBIZ / 312-744-6249 • (312) 744-1944 (TTY)
<http://www.cityofchicago.org/bacp>

04/10/2019

Alderman Debra L. Silverstein
Ward # 50
City of Chicago
City Hall, Room 300
121 North LaSalle Street
Chicago, Illinois 60602

Re: An ordinance to use and maintain a portion of the public right-of-way for **one (1) sign(s)** for **METRO PCS**, adjacent to the premises known as **7450 N. Western Ave.**.

Dear Alderman **Debra L. Silverstein**:

The applicant referenced above has requested the use of the public right-of-way for a **sign(s)**. An ordinance has been prepared by the Department of Business Affairs and Consumer Protection – Small Business Center - Public Way Use Unit for presentation to the City Council. Because this request was made for properties located in your ward, as approved by you as per the attached, I respectfully request that you introduce the attached ordinance at the next City Council meeting.

If you have any questions regarding this ordinance, please contact Anthony Bertuca at (312) 744-5506.

Department of Business Affairs and Consumer Protection