



# City of Chicago



O2016-6983

Office of the City Clerk

## Document Tracking Sheet

<b>Meeting Date:</b>	9/14/2016
<b>Sponsor(s):</b>	Solis (25)
<b>Type:</b>	Ordinance
<b>Title:</b>	Grant(s) of privilege in public way for U-Stor-It
<b>Committee(s) Assignment:</b>	Committee on Transportation and Public Way

ORDINANCE  
U-STOR-IT  
Acct. No. 405774 - 1  
Permit No. 1124041

*Be It Ordained by the City Council of the City of Chicago:*

SECTION 1. Permission and authority are hereby given and granted to U-STOR-IT, upon the terms and subject to the conditions of this ordinance to construct, install, maintain and use three (3) Door Swing(s) on the public right-of-way adjacent to its premises known as 1245 W. 15th St..

Said Door Swing(s) at S. Throop Street measure(s):

Two (2) at three (3) feet in length, and three point three three (3.33) feet in width for a total of nineteen point nine eight (19.98) square feet.

Said Door Swing(s) at W. 15th Street measure(s):

One (1) at two point eight three (2.83) feet in length, and three point three three (3.33) feet in width for a total of nine point four two (9.42) square feet.

The location of said privilege shall be as shown on prints kept on file with the Department of Business Affairs and Consumer Protection and the Office of the City Clerk.

Said privilege shall be constructed in accordance with plans and specifications approved by the Department of Transportation (Division of Project Development).

This grant of privilege in the public way shall be subject to the provisions of Section 10-28-015 and all other required provisions of the Municipal Code of Chicago.

The grantee shall pay to the City of Chicago as compensation for the privilege #1124041 herein granted the sum of two hundred twenty-five (\$225.00) per annum in advance.

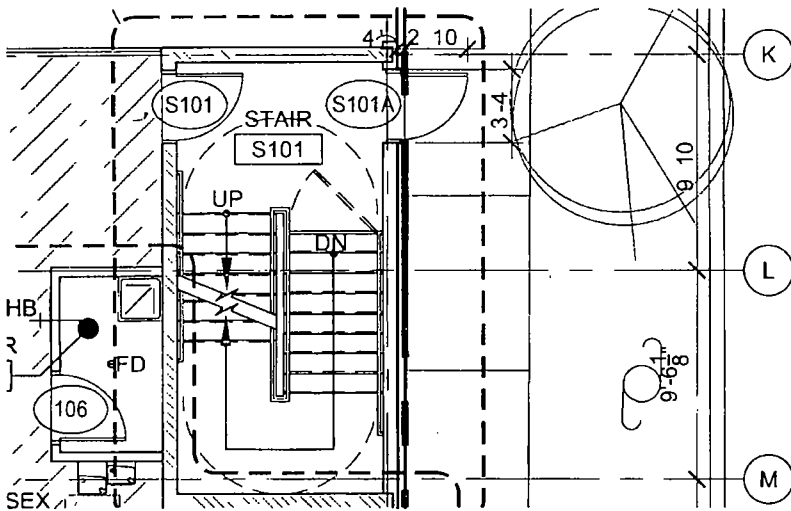
A 25% penalty will be added for payments received after due date.

The permit holder agrees to hold the City of Chicago harmless for any damage, relocation or replacement costs associated with damage, relocation or removal of private property caused by the City performing work in the public way.

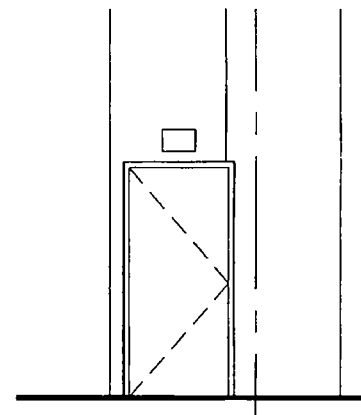
Authority herein given and granted for a period of five (5) years from and after Date of Passage.

Alderman \_\_\_\_\_

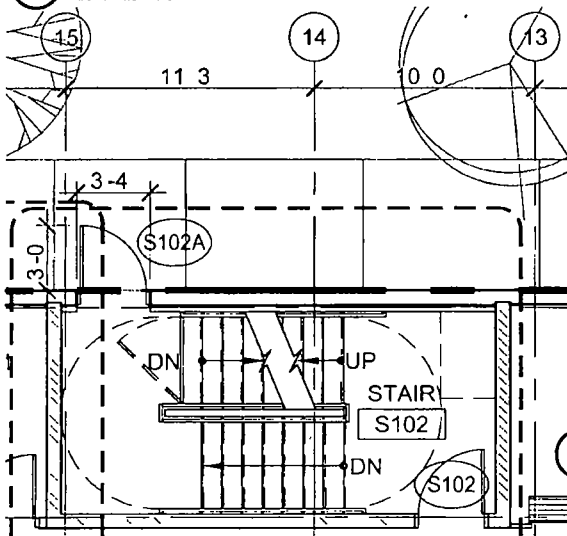
  
Daniel S. Solis 25th Ward



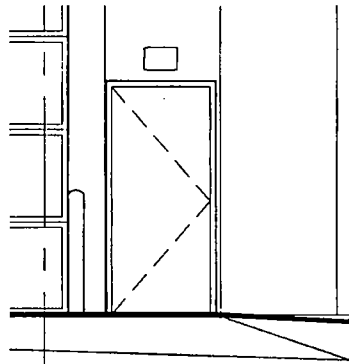
1 ENLARGED STAIR PLAN DOOR 1  
SCALE 1/8" = 1'-0"



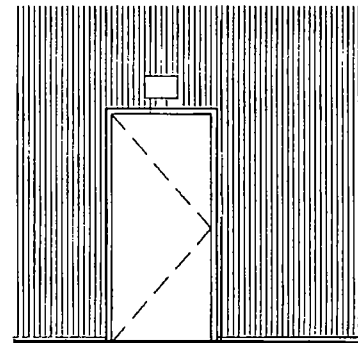
5 ELEVATION OF STAIR DOOR 1  
SCALE 3/16" = 1'-0"



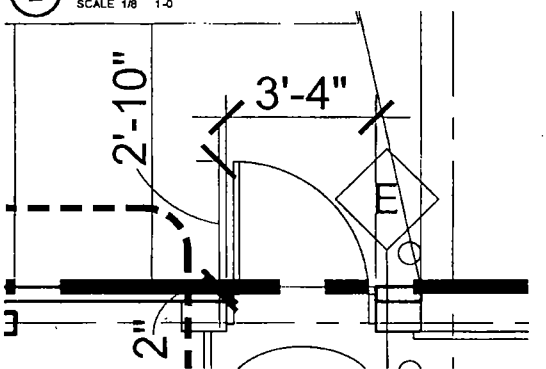
2 ENLARGED STAIR PLAN-DOOR 2  
SCALE 1/8" = 1'-0"



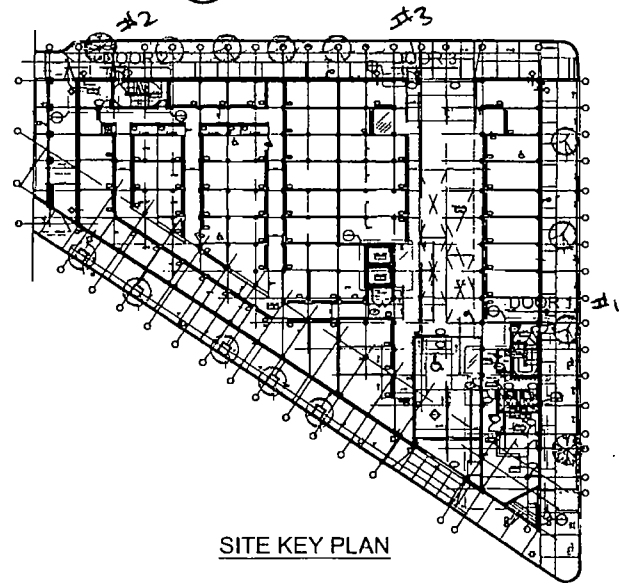
4 ELEVATION OF DOCK DOOR 3  
SCALE 3/16" = 1'-0"



6 ELEVATION OF STAIR DOOR 2  
SCALE 3/16" = 1'-0"



3 ENLARGED DOCK PLAN-DOOR 3  
SCALE 1/8" = 1'-0"



SITE KEY PLAN



U STOR-IT  
OWNER  
JULY 08 2016

1245 W 15TH STREET  
CHICAGO, ILLINOIS 60608

**SULLIVAN  
GOULETTE  
& WILSON**  
ARCHITECTS



09/14/2016

Alderman **Daniel S. Solis**  
Ward # **25**  
City of Chicago  
City Hall, Room **304**  
121 North LaSalle Street  
Chicago, Illinois 60602

Re: An ordinance to use and maintain a portion of the public right-of-way for **three (3) door swing(s)** for **U-STOR-IT**, adjacent to the premises known as **1245 W. 15th St.**.

Dear Alderman **Daniel S. Solis**:

The applicant referenced above has requested the use of the public right-of-way for a **door swing(s)**. An ordinance has been prepared by the Department of Business Affairs and Consumer Protection – Small Business Center - Public Way Use Unit for presentation to the City Council. Because this request was made for properties located in your ward, as approved by you as per the attached, I respectfully request that you introduce the attached ordinance at the next City Council meeting.

If you have any questions regarding this ordinance, please contact Anthony Bertuca at (312) 744-5506.

**Department of Business Affairs and Consumer Protection**