



Office of the City Clerk



Or2013-118

Office of the City Clerk

City Council Document Tracking Sheet

Meeting Date:	3/13/2013
Sponsor(s):	Laurino, Margaret (39)
Type:	Order
Title:	Issuance of permits for sign(s)/signboard(s) at 4840 N Pulaski Rd
Committee(s) Assignment:	Committee on Zoning, Landmarks and Building Standards

ORDERED, That the Commissioner of the Building Department is hereby directed to issue a sign permit to: (Contractor's name and address)

Signco Inc
1327 31st Avenue
Melrose Pk, IL 60160

For the erection of a sign / signboard over twenty-four (24) feet in height and / or over one hundred (100) square feet (in area of one face) at:

On-Premise / Business ID signs: indicate Business Name and Address
Off-Premise / Advertising signs: must indicate that it is for Advertising

Petco
4840 N Pulaski Rd.

Dimensions: 5'3" x 24'

Height above grade: 23'

Such signs shall comply with all provisions of Title 17 of the Chicago Zoning Ordinance and all other applicable provisions of the Municipal Code of the City of Chicago governing the construction and maintenance of outdoor signs, sign boards, and structures.

Margaret Laurino
39th WARD
Alderman, Ward



Faint, illegible text or markings in the upper middle section of the page.

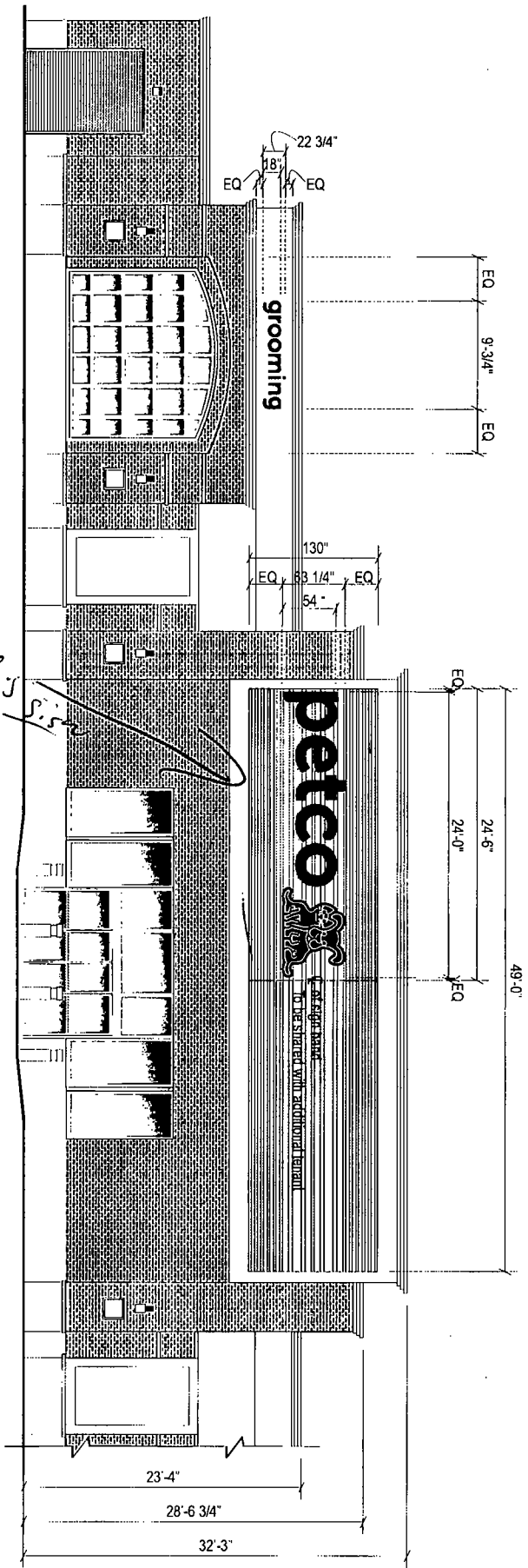
Second set of faint, illegible text or markings in the middle section of the page.

Third set of faint, illegible text or markings in the lower middle section of the page.

Fourth set of faint, illegible text or markings in the bottom section of the page.

SIGN A	54" Petco / 63 1/4" Dog Cat Logo
Type:	Individual channel letters/ self-contained
Illumination:	Internally Illuminated LED
Square Footage:	86.30 + 40.19 = 126.50
To Grade:	Top of sign to grade = 26'-11 1/2"
	Bottom of sign to grade = 21'-8 1/2"

SIGN B	18" Grooming
Type:	Individual Channel Letters
Illumination:	Internally Illuminated LED
Square Footage:	17.18
To Grade:	Top of sign to grade = 21'-11 3/4"
	Bottom of sign to grade = 20'-1"



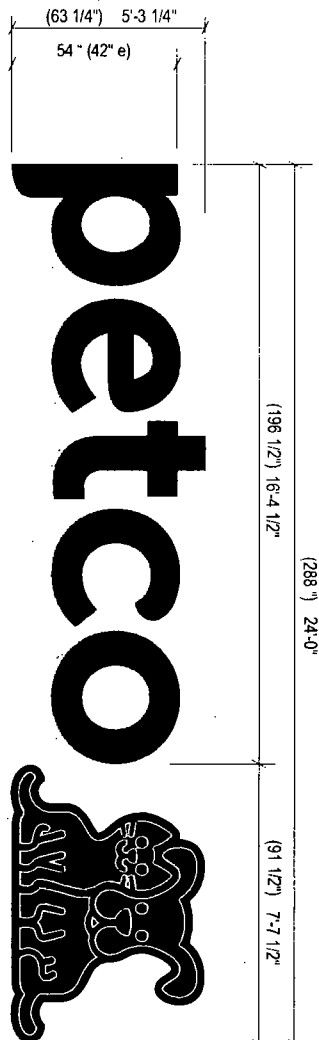
Front Elevation (South)
Scale: 3/32" = 1'-0"

Allowable Square Footage this Elevation:	246.00
Formula: 82' x 3 = 246.00 sq ft	
Actual Square Footage this Elevation:	143.88

petco		Client: Petco	Site #: PC-A16651	Address: 4840 N. Pulaski Road Chicago, IL 60618
AnchorSign		Address: 4840 N. Pulaski Road Chicago, IL 60618	Chicago, IL 60618	Chicago, IL 60618
REVISION INFO				
09/06/2012	Original Rendering	MD		
09/20/2012	Changed Sign A to 54"	BJ		
<small>This drawing is the property of AnchorSign. It is to be used for the exclusive use of the client. No part of this drawing may be reproduced, stored in a retrieval system, or transmitted in any form or by any means, electronic, mechanical, photocopying, recording, or by any information storage and retrieval system, without the prior written permission of AnchorSign. Please contact your account manager with any questions regarding this drawing.</small>				
1-800-213-3331				

7

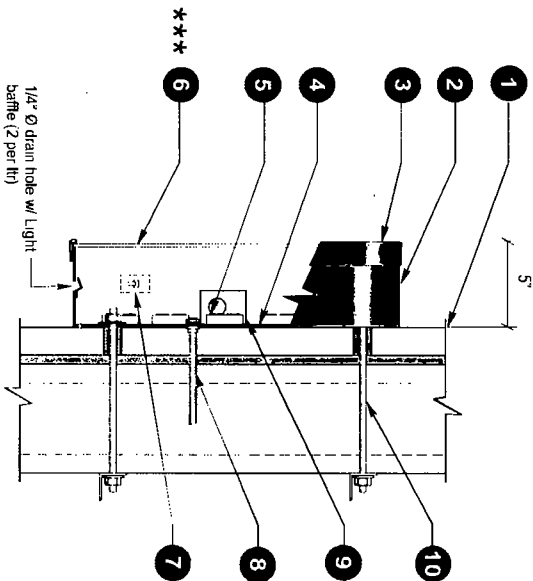
SIGN A	S4" Petco / 63 1/4" Dog Cat Logo
Type:	Individual channel letters/ self-contained
Illumination:	Internally Illuminated LED
Square Footage:	86.30 + 40.19 = 126.50
To Grade:	Top of sign to grade = 26'-11 1/2" Bottom of sign to grade = 21'-8 1/2"



Sign Layout Detail
Scale: 1/4" = 1'-0"

Specifications: Channel Letters / Logo

- Electrical Detail:**
AGILIGHT Sign Rayz LED's
White 6500- "dog/cat" Red - "petco" ltrs
(3) 60w Transformers @ 0.61 each
Total Amps = 1.83
- General Notes:**
This sign is to be installed in accordance with the requirements of Article 600 of the National Electrical Code:
1) Grounded and bonded per NEC 600.7/NEC 250
2) Existing branch circuit in compliance with NEC 600.5, not to exceed 20 amps
3) Sign is to be UL listed per NEC 600.3
4) UL disconnect switch per NEC 600.6- required per sign component before leaving manufacturer*
*For multiple signs, a disconnect is permitted but not required for each section
- Existing Facade: Metal/Brick
 - .040 Aluminum letter returns painted to match Winsco Red
 - 1" trim cap to match Red
 - 3mm Signabond Lite composite backs
(interior of sign can painted white for maximum illumination)
 - "PETCO" and "Dog" - Red LEDs / "Cat" - White LEDs
 - 3/16" R&H #2793 Red acrylic face for "Petco"
 - 3/16" clear acrylic face for "Dog & Cat" w/ applied vinyl:
 - "Dog" - 3M #3630-53 Cardinal Red first surface vinyl
 - "Cat" - 3M #3630-57 Blue first surface vinyl
 - "Dog/Cat" - Diffuser film second surface vinyl
 - Waterproof disconnect switch per NEC 600-6
 - Primary electrical feed
 - Transformers
 - 3/8" Thru Bolt with 2"x2" Aluminum Angle backing



Section @ LED Channel Letter
Front-Lit (Self Contained)
Scale: N.T.S.

Client: Petco	Site #: PC-A16651
Address: 4840 N. Pulaski Road Chicago, IL 60618	
Chicago-N. Pulaski Road (IL)	
REVISION INFO	
09/08/2012	Original Rendering
09/20/2012	Changed Sign A to S4
MD	
BJ	
<p>This document is the property of Anchor Sign. It is to be used only for the project specified herein. It is not to be reproduced, copied, or altered in any way without the written consent of Anchor Sign. If you are not the intended recipient of this document, please contact your account manager at 1-800-213-3331.</p>	
1-800-213-3331	

