



Office of the City Clerk



O2013-3110

Office of the City Clerk

City Council Document Tracking Sheet

Meeting Date:	4/10/2013
Sponsor(s):	Smith, Michele (43)
Type:	Ordinance
Title:	Grant(s) of privilege in public way for Insomnia Cookies
Committee(s) Assignment:	Committee on Transportation and Public Way

ORDINANCE
INSOMNIA COOKIES
Acct. No. 378554 - 1
Permit No. 1104782

Be It Ordained by the City Council of the City of Chicago:

SECTION 1. Permission and authority are hereby given and granted to INSOMNIA COOKIES, upon the terms and subject to the conditions of this ordinance to maintain and use one (1) sign(s) projecting over the public right-of-way attached to its premises known as 2260 N. Lincoln Ave..

Said sign structure(s) measures as follows; along N Lincoln Ave:

One (1) at two point five (2.5) feet in length, two point five (2.5) feet in height and nine (9) feet above grade level.

The location of said privilege shall be as shown on prints kept on file with the Department of Business Affairs and Consumer Protection and the Office of the City Clerk.

Said privilege shall be constructed in accordance with plans and specifications approved by the Department of Transportation (Division of Project Development) and Zoning Department - Signs.

This grant of privilege in the public way shall be subject to the provisions of Section 10-28-015 and all other required provisions of the Municipal Code of Chicago.

The grantee shall pay to the City of Chicago as compensation for the privilege #1104782 herein granted the sum of one hundred (\$100.00) per annum in advance.

A 25% penalty will be added for payments received after due date.

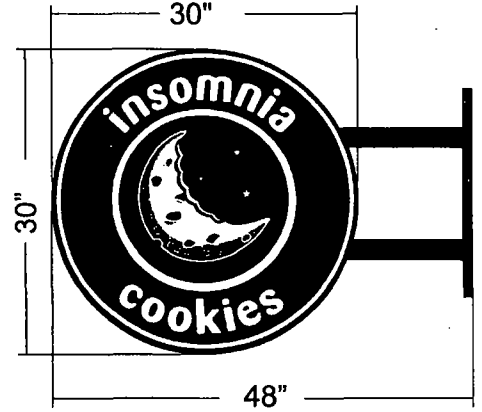
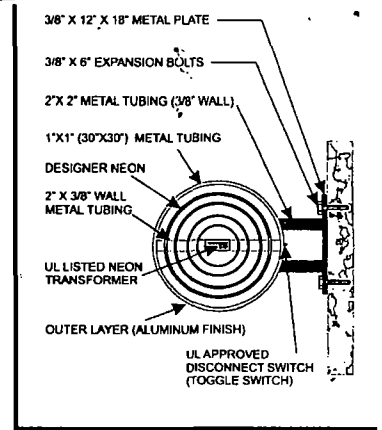
The permit holder agrees to hold the City of Chicago harmless for any damage, relocation or replacement costs associated with damage, relocation or removal of private property caused by the City performing work in the public way.

Authority herein given and granted for a period of five (5) years from and after Date of Passage.

Alderman 

Michele Smith 43rd Ward

tfasigns



tfasigns

Store Name:
 Insomnia Cookies
Location:
 2260 N. Lincoln Ave.
 Chicago, IL.

Client Name:
Phone:
Landlord:
Address:

.....
 Client Approval (signature) Date

 Landlord Approval (signature) Date

Sales Rep:
 SEAN PARK
Designer:
 SEAN PARK

