



# City of Chicago



O2014-9079

Office of the City Clerk

## Document Tracking Sheet

<b>Meeting Date:</b>	11/5/2014
<b>Sponsor(s):</b>	Burnett (27)
<b>Type:</b>	Ordinance
<b>Title:</b>	Awning(s) for Soho House Chicago
<b>Committee(s) Assignment:</b>	Committee on Transportation and Public Way

ORDINANCE  
SOHO HOUSE CHICAGO  
Acct. No. 386661 - 1  
Permit No. 1112964

*Be It Ordained by the City Council of the City of Chicago:*

SECTION 1. Permission and authority are hereby given and granted to SOHO HOUSE CHICAGO, upon the terms and subject to the conditions of this ordinance to construct, install, maintain and use six (6) Awning(s) projecting over the public right-of-way adjacent to its premises known as 113-125 N. Green St..

Said Awning(s) at N Green St measure(s):

Six (6) at fourteen point eight three (14.83) feet in length, and six (6) feet in width for a total of five hundred thirty-three point eight eight (533.88) square feet.

The location of said privilege shall be as shown on prints kept on file with the Department of Business Affairs and Consumer Protection and the Office of the City Clerk.

Said privilege shall be constructed in accordance with plans and specifications approved by the Zoning Department - Signs.

This grant of privilege in the public way shall be subject to the provisions of Section 10-28-015 and all other required provisions of the Municipal Code of Chicago.

The grantee shall pay to the City of Chicago as compensation for the privilege #1112964 herein granted the sum of one hundred seventy-five (\$175.00) per annum in advance.

A 25% penalty will be added for payments received after due date.

The permit holder agrees to hold the City of Chicago harmless for any damage, relocation or replacement costs associated with damage, relocation or removal of private property caused by the City performing work in the public way.

Authority herein given and granted for a period of five (5) years from and after Date of Passage.

Alderman

  
Walter Burnett Jr. 27th Ward

# SOHO House

## **THATCHER OAKS AWNINGS**

718 Industrial Drive, Elmhurst, IL 60126  
(630)533-5700  
www.thatcheroaks.com

Job Name

**SOHO House**

Location

Customer Contact

Salesman

**Kevin Eltoft**

Draftsman

**Matthew Hamaker**

Job Information

**Awning**

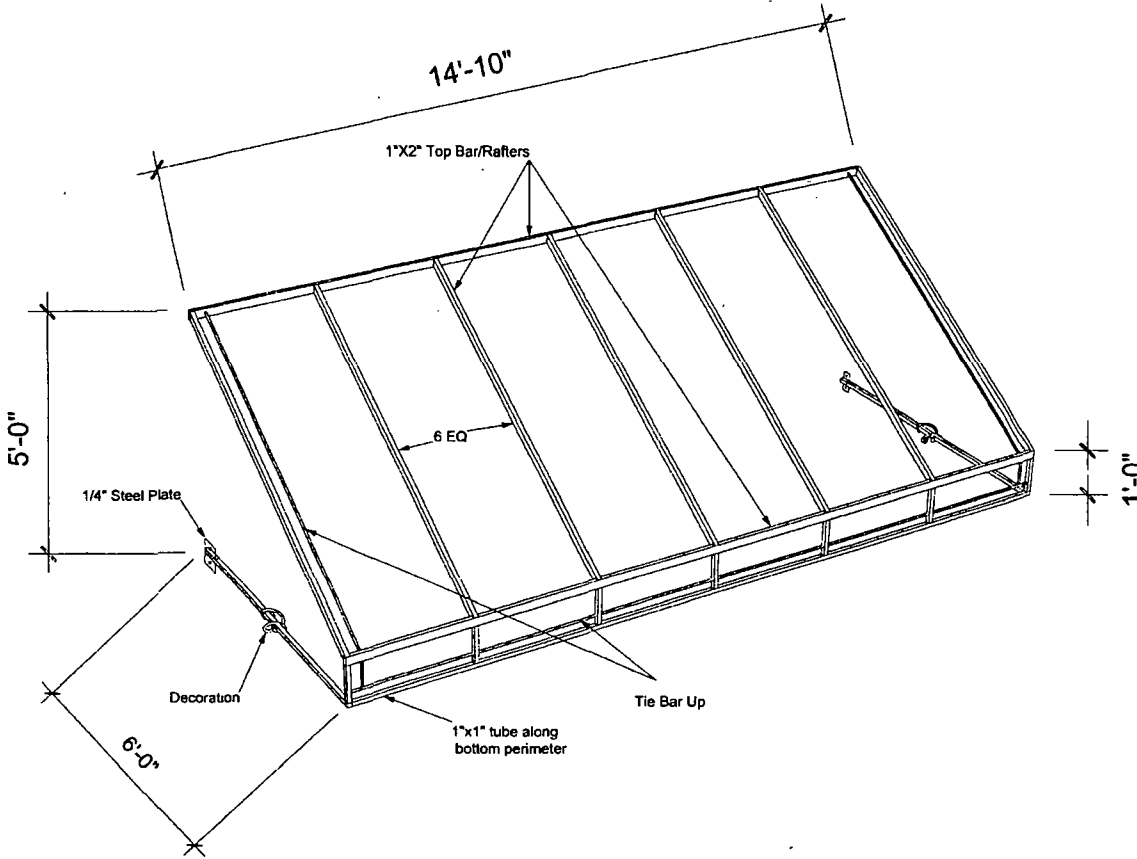
Date

**02/27/2014**

Drawing Type

**ISO**

Map



All Measurements VIF