



# City of Chicago



O2015-2746

Office of the City Clerk

## Document Tracking Sheet

<b>Meeting Date:</b>	4/15/2015
<b>Sponsor(s):</b>	Burnett (27)
<b>Type:</b>	Ordinance
<b>Title:</b>	Awning(s) for West River Spa
<b>Committee(s) Assignment:</b>	Committee on Transportation and Public Way

ORDINANCE  
WEST RIVER SPA  
Acct. No. 390351 - 1  
Permit No. 1116414

*Be It Ordained by the City Council of the City of Chicago:*

SECTION 1. Permission and authority are hereby given and granted to WEST RIVER SPA, upon the terms and subject to the conditions of this ordinance to construct, install, maintain and use one (1) Awning(s) projecting over the public right-of-way adjacent to its premises known as 1212 W. Grand Ave..

Said Awning(s) at W Grand Ave measure(s):

One (1) at twenty-one (21) feet in length, and two (2) feet in width for a total of forty-two (42) square feet.

The location of said privilege shall be as shown on prints kept on file with the Department of Business Affairs and Consumer Protection and the Office of the City Clerk.

Said privilege shall be constructed in accordance with plans and specifications approved by the Zoning Department - Signs.

This grant of privilege in the public way shall be subject to the provisions of Section 10-28-015 and all other required provisions of the Municipal Code of Chicago.

The grantee shall pay to the City of Chicago as compensation for the privilege #1116414 herein granted the sum of fifty (\$50.00) per annum in advance.

A 25% penalty will be added for payments received after due date.

The permit holder agrees to hold the City of Chicago harmless for any damage, relocation or replacement costs associated with damage, relocation or removal of private property caused by the City performing work in the public way.

Authority herein given and granted for a period of five (5) years from and after Date of Passage.

Alderman



Walter Burnett Jr. 27th Ward



**Athena Design Group**

1882 S. Normal Avenue, Chicago, IL 60616 | Tel: 312-733-2828 | Fax: 312-733-2822 | E-mail: mail@3228.com

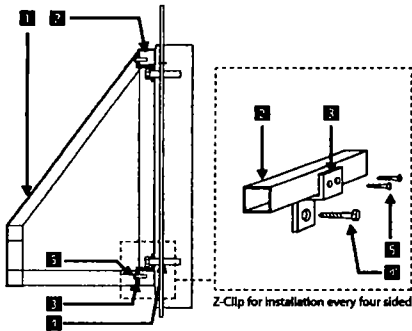
**AWNING SIGN**



**SPECIFICATIONS**

- 1 Awning Fabric Material
- 2 1" X 1" Square Tube Frame
- 3 3/16" Galvanized Steel Z-Clip Attachment
- 4 Appropriate Non-corrosive Wall Fastener (See Mounting Option Details)
- 5 #12 Tek Screw

**SIDE SECTION VIEW**



**COLOR SCHEDULE**



**MOUNTING OPTION DETAIL**

**Three Bolt Mounting**

**Hanger Bolts**

**Reverse Toggle Bolt Mounting**

**Masonry Lag Bolt Mounting**

**West River Spa**  
SIGN ELEVATION EXHIBIT

Address 1212  
W Grand Ave.

City Chicago

State 60652

Account Rep \_\_\_\_\_

Sales Rep \_\_\_\_\_

APPROVALS

CLIENT \_\_\_\_\_

DESIGN \_\_\_\_\_

PROD \_\_\_\_\_

Designer \_\_\_\_\_

Design No \_\_\_\_\_

DATE 10-27-2014

Rev Date \_\_\_\_\_

The purchaser agrees to hold the seller harmless against any claims for action for damage which may occur as a result of drilling for pins and fasteners, including but not limited to seismic, gas lines or any underground obstacles which the purchaser or others may deem valuable.