



City of Chicago



O2016-932

Office of the City Clerk

Document Tracking Sheet

Meeting Date:	2/10/2016
Sponsor(s):	Cappleman (46)
Type:	Ordinance
Title:	Awning(s) for Real Art
Committee(s) Assignment:	Committee on Transportation and Public Way

ORDINANCE
Real Art
Acct. No. 356537 - 2
Permit No. 1119383

Be It Ordained by the City Council of the City of Chicago:

SECTION 1. Permission and authority are hereby given and granted to Real Art, upon the terms and subject to the conditions of this ordinance to construct, install, maintain and use one (1) Awning(s) projecting over the public right-of-way adjacent to its premises known as 3744 N. Broadway.

Said Awning(s) at N Broadway measure(s):

One (1) at fifteen point four two (15.42) feet in length, and two (2) feet in width for a total of thirty point eight four (30.84) square feet.

The location of said privilege shall be as shown on prints kept on file with the Department of Business Affairs and Consumer Protection and the Office of the City Clerk.

Said privilege shall be constructed in accordance with plans and specifications approved by the Zoning Department - Signs.

This grant of privilege in the public way shall be subject to the provisions of Section 10-28-015 and all other required provisions of the Municipal Code of Chicago.

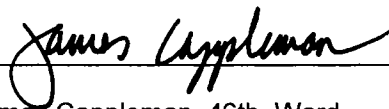
The grantee shall pay to the City of Chicago as compensation for the privilege #1119383 herein granted the sum of fifty (\$50.00) per annum in advance.

A 25% penalty will be added for payments received after due date.

The permit holder agrees to hold the City of Chicago harmless for any damage, relocation or replacement costs associated with damage, relocation or removal of private property caused by the City performing work in the public way.

Authority herein given and granted for a period of five (5) years from and after Date of Passage.

Alderman

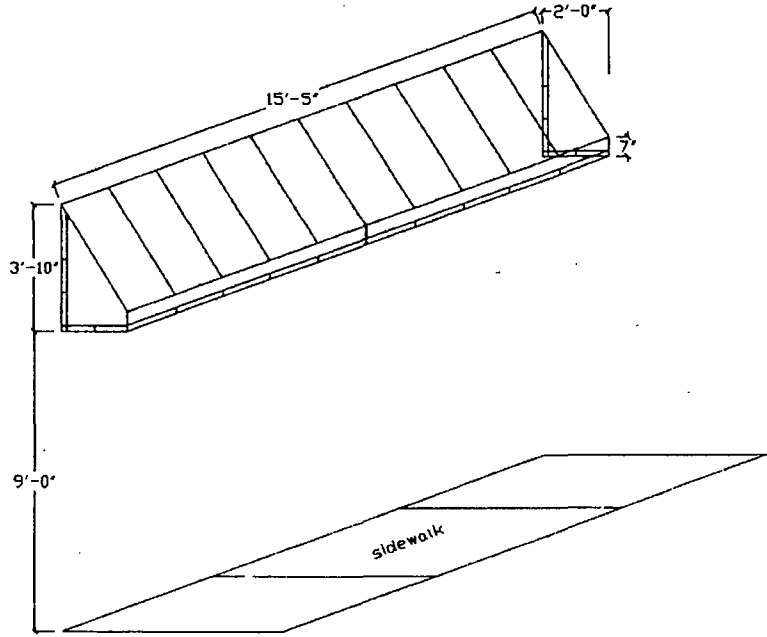


James Cappleman 46th Ward

6/10/2015

Real Art shop.jpg

fraternal-style slatwork awning with red and a slatwork frame manufactured composite
 and now we use the best solution. Frame made of 1" by 1" red slatwork aluminum. Slat
 work with white frame of red and painted fabric attached by the use of metal slat
 Sunzel material # 4628 B20.



2801 Central St. Evanston, IL 60201
 847-864-3520

By signing this drawing you are agreeing with the proportionate shape and sizes indicated, fabric color and pattern and proportionate graphics for the awning you have contracted to purchase from IAC. This image belongs to IAC and cannot be reproduced or used for alternate purposes.

 Sign as approved for manufacturing

 Date

Job: Real Art
 3744 N Broadway
 Chicago, IL 60614
 Contact Joe Svec
 Scale: $\frac{1}{4} = 1'-0''$
 Date 6-10-2015



02/10/2016

Alderman James Cappleman

Ward # 46

City of Chicago

City Hall, Room 200

121 North LaSalle Street

Chicago, Illinois 60602

Re: An ordinance to use and maintain a portion of the public right-of-way for **one (1) awning(s)** for **Real Art**, adjacent to the premises known as **3744 N. Broadway** .

Dear Alderman **James Cappleman**:

The applicant referenced above has requested the use of the public right-of-way for a **awning(s)**. An ordinance has been prepared by the Department of Business Affairs and Consumer Protection – Small Business Center - Public Way Use Unit for presentation to the City Council. Because this request was made for properties located in your ward, as approved by you as per the attached, I respectfully request that you introduce the attached ordinance at the next City Council meeting.

If you have any questions regarding this ordinance, please contact Anthony Bertuca at (312) 744-5506.

Department of Business Affairs and Consumer Protection