



# City of Chicago



O2016-4316

Office of the City Clerk

Document Tracking Sheet

<b>Meeting Date:</b>	5/18/2016
<b>Sponsor(s):</b>	Solis (25)
<b>Type:</b>	Ordinance
<b>Title:</b>	Awning(s) for China Night Cafe
<b>Committee(s) Assignment:</b>	Committee on Transportation and Public Way



ORDINANCE  
CHINA NIGHT CAFE  
Acct. No. 340423 - 1  
Permit No. 1123250

*Be It Ordained by the City Council of the City of Chicago:*

SECTION 1. Permission and authority are hereby given and granted to CHINA NIGHT CAFE, upon the terms and subject to the conditions of this ordinance to maintain and use, as now constructed, one (1) Awning(s) projecting over the public right-of-way adjacent to its premises known as 1140 W. Taylor St..

Said Awning(s) at W. TAYLOR measure(s):

One (1) at twenty-four (24) feet in length, and six (6) feet in width for a total of one hundred forty-four (144) square feet.

The location of said privilege shall be as shown on prints kept on file with the Department of Business Affairs and Consumer Protection and the Office of the City Clerk.

Said privilege shall be constructed in accordance with plans and specifications approved by the Zoning Department - Signs.

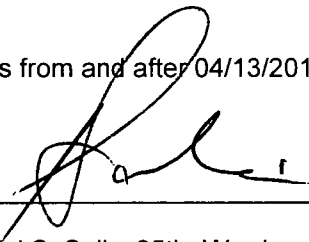
This grant of privilege in the public way shall be subject to the provisions of Section 10-28-015 and all other required provisions of the Municipal Code of Chicago.

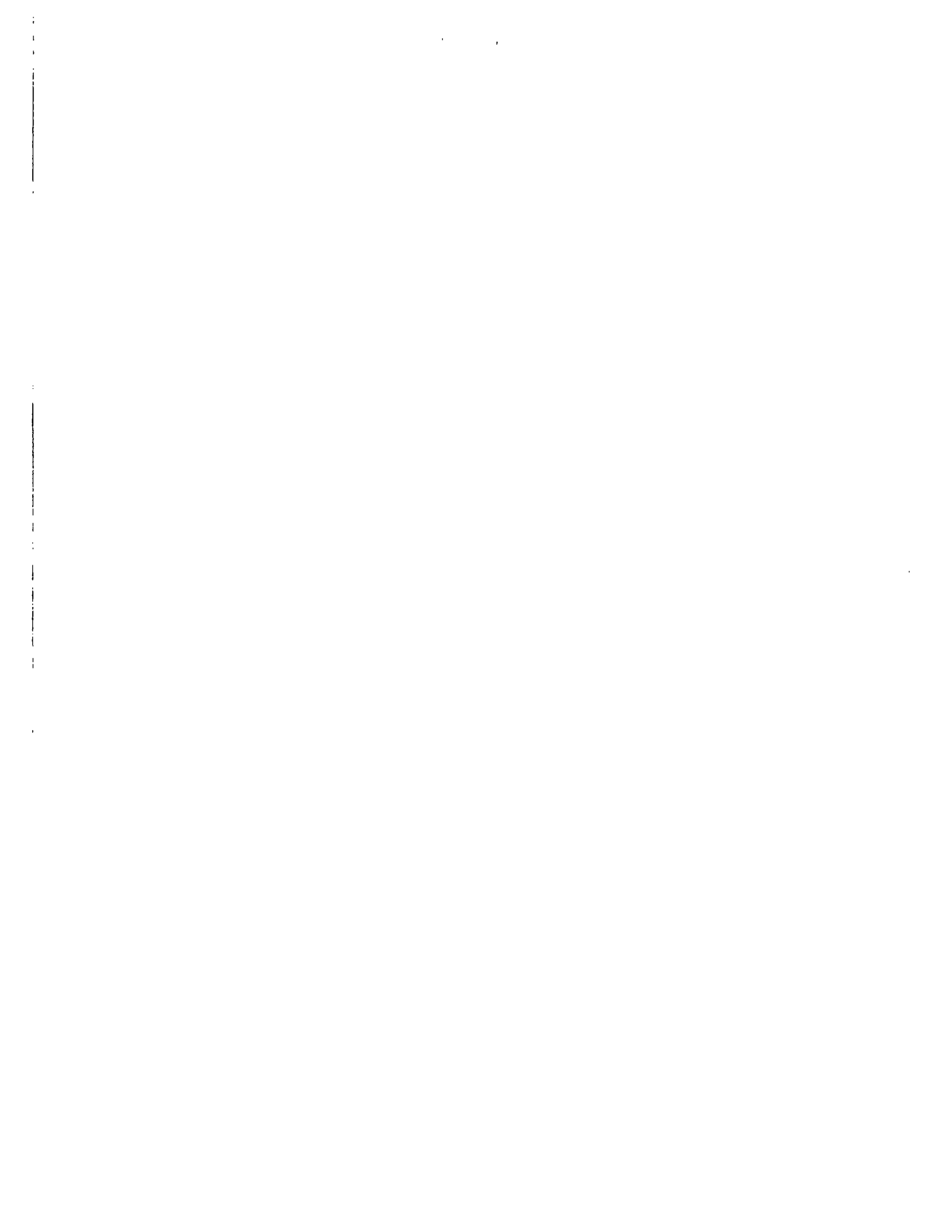
The grantee shall pay to the City of Chicago as compensation for the privilege #1123250 herein granted the sum of fifty (\$50.00) per annum in advance.

A 25% penalty will be added for payments received after due date.

The permit holder agrees to hold the City of Chicago harmless for any damage, relocation or replacement costs associated with damage, relocation or removal of private property caused by the City performing work in the public way.

Authority herein given and granted for a period of five (5) years from and after 04/13/2016.

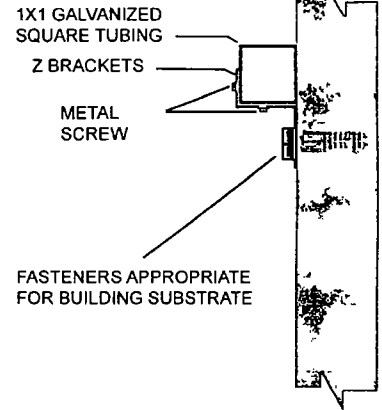
Alderman   
Daniel S. Solis 25th Ward



# Awning Exhibit



## METHOD OF ATTACHMENT



### SIGNATURE

Jim Wu

Business Owner

(312) 421-7130

Phone

26-3807484

FEIN #

Site Address	1140 W Taylor St Chicago IL	
Sign Type	Awning	
Physical Information	Lettering Color	Fabric Color
	White	Red Vinyl

Client	China Night Cafe	Drawing #	
Approved	Sales	Date	03-30-2016
Scale	Drawn by	Rev Date	

All sign designs and concepts shown here are confidential and are the property of MONSIEUR. They are not to be distributed, exhibited, copied, or otherwise used without our written permission.  
**COMPUTER GENERATED COLORS ARE NOT A TRUE MATCH TO ANY PMS VINYL OR PAINT**





**05/18/2016**

Alderman **Daniel S. Solis**  
Ward # **25**  
City of Chicago  
City Hall, Room **304**  
121 North LaSalle Street  
Chicago, Illinois 60602

Re: An ordinance to use and maintain a portion of the public right-of-way for **one (1) awning(s)** for **CHINA NIGHT CAFE**, adjacent to the premises known as **1140 W. Taylor St.**

Dear Alderman **Daniel S. Solis**:

The applicant referenced above has requested the use of the public right-of-way for a **awning(s)**. An ordinance has been prepared by the Department of Business Affairs and Consumer Protection – Small Business Center - Public Way Use Unit for presentation to the City Council. Because this request was made for properties located in your ward, as approved by you as per the attached, I respectfully request that you introduce the attached ordinance at the next City Council meeting.

If you have any questions regarding this ordinance, please contact Anthony Bertuca at (312) 744-5506.

**Department of Business Affairs and Consumer Protection**

