



City of Chicago



O2016-5734

Office of the City Clerk

Document Tracking Sheet

Meeting Date:	7/20/2016
Sponsor(s):	Solis (25)
Type:	Ordinance
Title:	Awning(s) for China Dragon 18th St
Committee(s) Assignment:	Committee on Transportation and Public Way

ORDINANCE
CHINA DRAGON 18TH ST
Acct. No. 374158 - 2
Permit No. 1123566

Be It Ordained by the City Council of the City of Chicago:

SECTION 1. Permission and authority are hereby given and granted to CHINA DRAGON 18TH ST, upon the terms and subject to the conditions of this ordinance to construct, install, maintain and use one (1) Awning(s) projecting over the public right-of-way adjacent to its premises known as 1737 W. 18th St..

Said Awning(s) at W. 18th Street measure(s):

One (1) at twenty-three (23) feet in length, and two (2) feet in width for a total of forty-six (46) square feet.

The location of said privilege shall be as shown on prints kept on file with the Department of Business Affairs and Consumer Protection and the Office of the City Clerk.

Said privilege shall be constructed in accordance with plans and specifications approved by the Zoning Department - Signs.

This grant of privilege in the public way shall be subject to the provisions of Section 10-28-015 and all other required provisions of the Municipal Code of Chicago.

The grantee shall pay to the City of Chicago as compensation for the privilege #1123566 herein granted the sum of fifty (\$50.00) per annum in advance.

A 25% penalty will be added for payments received after due date.

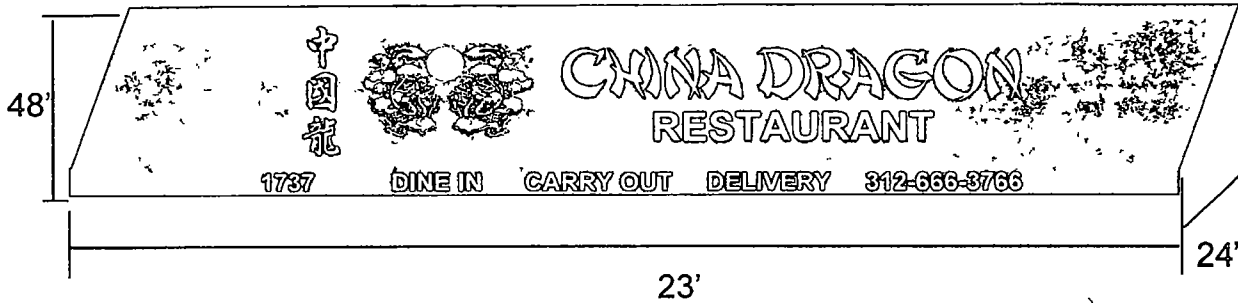
The permit holder agrees to hold the City of Chicago harmless for any damage, relocation or replacement costs associated with damage, relocation or removal of private property caused by the City performing work in the public way.

Authority herein given and granted for a period of five (5) years from and after Date of Passage.

Alderman _____


Daniel S. Solis 25th Ward

AWNING SIGN



(Bridgeport)
Chicago, IL

3401 S Halsted St
Chicago, IL 60608
773 847 2828
Fax 773 847-0088

SIGN ELEVATION
EXHIBIT

Address 1737 W 18th St

City Chicago, IL

Account Rep

Sales Rep K WONG

APPROVALS

CLIENT

DESIGN

PROD

Designer K WONG

Design No

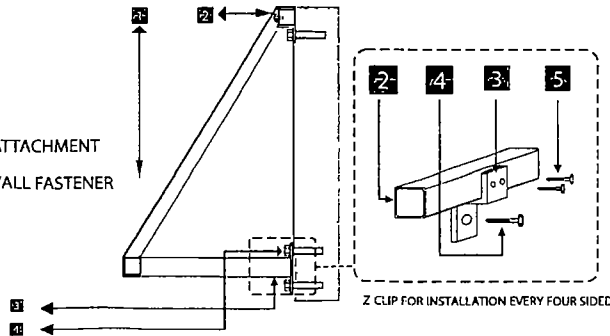
DATE 02 03 16

Rev Date

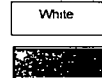
THESE DRAWINGS ARE THE PROPERTY OF MONSIBIC INC. AND ARE NOT TO BE REPRODUCED OR TRANSMITTED IN ANY FORM OR BY ANY MEANS, ELECTRONIC OR MECHANICAL, INCLUDING PHOTOCOPYING, RECORDING, OR BY ANY INFORMATION STORAGE AND RETRIEVAL SYSTEM, WITHOUT THE WRITTEN PERMISSION OF MONSIBIC INC.

SPECIFICATIONS

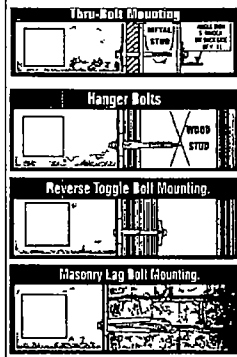
- 1 Awning Fabric Material
- 2 1 X 1' SQUARE TUBE FRAME
- 3 3/16" GALVANIZED STEEL Z-CLIP ATTACHMENT
- 4 APPROPRIATE NON-CORROSIVE WALL FASTENER SEE MOUNTING OPTION DETAILS
- 5 #12 TEK SCREW



COLOR SCHEDULE



MOUNTING DETAIL



THIS DESIGN AND ENGINEERING IS SUBMITTED AS OUR PROPOSAL AND THE RIGHT TO USE OR EXHIBIT IN ANY FORM IS NOT AUTHORIZED WITHOUT WRITTEN PERMISSION BY MONSIBIC INC



Department of Business Affairs and Consumer Protection
Small Business Center - Public Way Use Unit
City Hall - 121 N. LaSalle Street, Room 800 • Chicago, IL 60602
312-74-GOBIZ / 312-744-6249 • (312) 744-1944 (TTY)
<http://www.cityofchicago.org/bacp>

07/20/2016

Alderman **Daniel S. Solis**
Ward # 25
City of Chicago
City Hall, Room 304
121 North LaSalle Street
Chicago, Illinois 60602

Re: An ordinance to use and maintain a portion of the public right-of-way for **one (1) awning(s)** for
CHINA DRAGON 18TH ST, adjacent to the premises known as **1737 W. 18th St.**

Dear Alderman **Daniel S. Solis**:

The applicant referenced above has requested the use of the public right-of-way for a **awning(s)**. An ordinance has been prepared by the Department of Business Affairs and Consumer Protection – Small Business Center - Public Way Use Unit for presentation to the City Council. Because this request was made for properties located in your ward, as approved by you as per the attached, I respectfully request that you introduce the attached ordinance at the next City Council meeting.

If you have any questions regarding this ordinance, please contact Anthony Bertuca at (312) 744-5506.

Department of Business Affairs and Consumer Protection