



City of Chicago



O2017-2342

Office of the City Clerk

Document Tracking Sheet

| | |
|---------------------------------|--|
| Meeting Date: | 3/29/2017 |
| Sponsor(s): | Hopkins (2) |
| Type: | Ordinance |
| Title: | Awning(s) for Friends Ramen |
| Committee(s) Assignment: | Committee on Transportation and Public Way |

ORDINANCE
FRIENDS RAMEN
Acct. No. 404983 - 1
Permit No. 1123626

Be It Ordained by the City Council of the City of Chicago:

SECTION 1. Permission and authority are hereby given and granted to FRIENDS RAMEN, upon the terms and subject to the conditions of this ordinance to construct, install, maintain and use one (1) Awning(s) projecting over the public right-of-way adjacent to its premises known as 808 N. State St..

Said Awning(s) at N State St measure(s):

One (1) at thirteen point seven five (13.75) feet in length, and two point five (2.5) feet in width for a total of thirty-four point three eight (34.38) square feet.

The location of said privilege shall be as shown on prints kept on file with the Department of Business Affairs and Consumer Protection and the Office of the City Clerk.

Said privilege shall be constructed in accordance with plans and specifications approved by the Zoning Department - Signs.

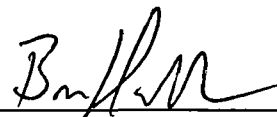
This grant of privilege in the public way shall be subject to the provisions of Section 10-28-015 and all other required provisions of the Municipal Code of Chicago.

The grantee shall pay to the City of Chicago as compensation for the privilege #1123626 herein granted the sum of fifty (\$50.00) per annum in advance.

A 25% penalty will be added for payments received after due date.

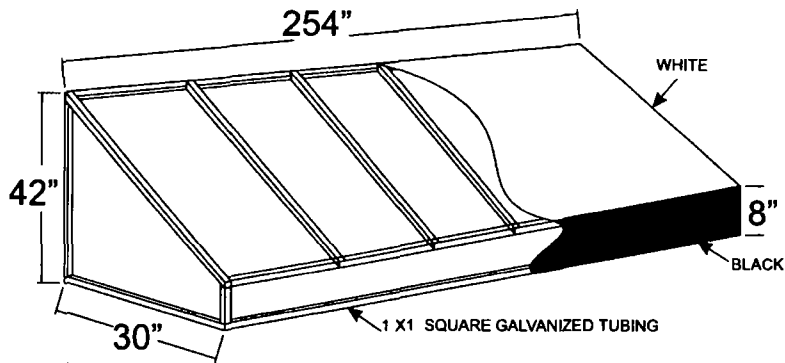
The permit holder agrees to hold the City of Chicago harmless for any damage, relocation or replacement costs associated with damage, relocation or removal of private property caused by the City performing work in the public way.

Authority herein given and granted for a period of five (5) years from and after Date of Passage.

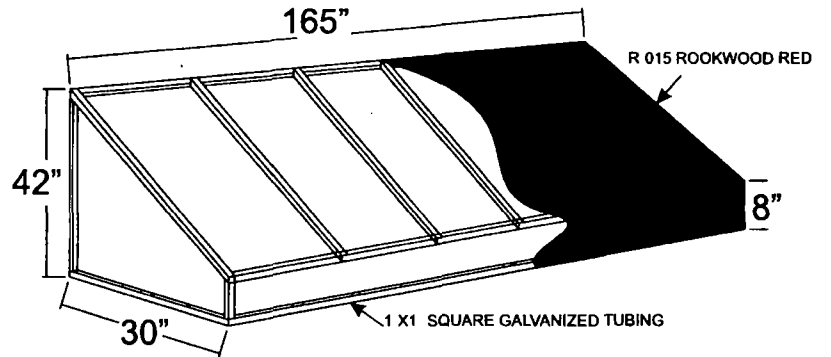
Alderman 

Brian Hopkins 2nd Ward

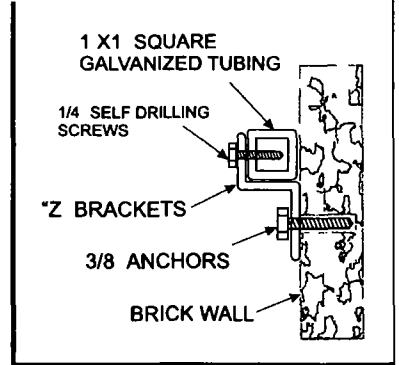
New Awning



Friends Sushi



Friends Ramen



Client Friends Sushi
 Address Friends Ramen
 Tel _____
 Email _____

Landlord _____
 Address _____
 Tel _____
 Email _____

Start Date 00/00/0000
 Last Revision 00/00/0000
 Job# 00000
 Drawing# 00000a v1 s1 / e1
 Page 1 of 2

Client Approval _____
 Landlord Approval _____

Sales Rep
 Seung Park
 Designer
E322358



03/29/2017

Alderman Brian Hopkins
Ward # 02
City of Chicago
City Hall, Room 200
121 North LaSalle Street
Chicago, Illinois 60602

Re: An ordinance to use and maintain a portion of the public right-of-way for **one (1) awning(s)** for **FRIENDS RAMEN**, adjacent to the premises known as **808 N. State St.**

Dear Alderman **Brian Hopkins**:

The applicant referenced above has requested the use of the public right-of-way for a **awning(s)**. An ordinance has been prepared by the Department of Business Affairs and Consumer Protection – Small Business Center - Public Way Use Unit for presentation to the City Council. Because this request was made for properties located in your ward, as approved by you as per the attached, I respectfully request that you introduce the attached ordinance at the next City Council meeting.

If you have any questions regarding this ordinance, please contact Anthony Bertuca at (312) 744-5506.

Department of Business Affairs and Consumer Protection