



City of Chicago



O2017-6633

Office of the City Clerk

Document Tracking Sheet

Meeting Date:	9/6/2017
Sponsor(s):	Burnett (27)
Type:	Ordinance
Title:	Grant(s) of privilege in public way for Boelter
Committee(s) Assignment:	Committee on Transportation and Public Way

ORDINANCE
BOELTER
Acct. No. 403875 - 1
Permit No. 1129228

Be It Ordained by the City Council of the City of Chicago:

SECTION 1. Permission and authority are hereby given and granted to BOELTER, upon the terms and subject to the conditions of this ordinance to maintain and use, as now constructed, six (6) Security Camera(s) projecting over the public right-of-way for security purposes adjacent to its premises known as 1071 W. Division St..

Said Security Camera(s) at W Division St measure(s):

Three (3) at point three three (.33) feet in length, point two five (.25) feet in width and eleven point zero eight (11.08) feet above grade level.

Said Security Camera(s) at N Branch St measure(s):

Two (2) at point three three (.33) feet in length, point two five (.25) feet in width and point zero eight (.08) feet above grade level.

Said Security Camera(s) at Public Alley measure(s):

One (1) at point three three (.33) feet in length, point two five (.25) feet in width and eleven point zero eight (11.08) feet above grade level.

The location of said privilege shall be as shown on prints kept on file with the Department of Business Affairs and Consumer Protection and the Office of the City Clerk.

Said privilege shall be constructed in accordance with plans and specifications approved by the Department of Planning and Development and Department of Transportation (Division of Project Development).

This grant of privilege in the public way shall be subject to the provisions of Section 10-28-015 and all other required provisions of the Municipal Code of Chicago.

The grantee shall pay to the City of Chicago as compensation for the privilege #1129228 herein granted the sum of zero (\$.00) per annum in advance.

A 25% penalty will be added for payments received after due date.

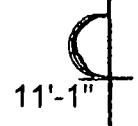
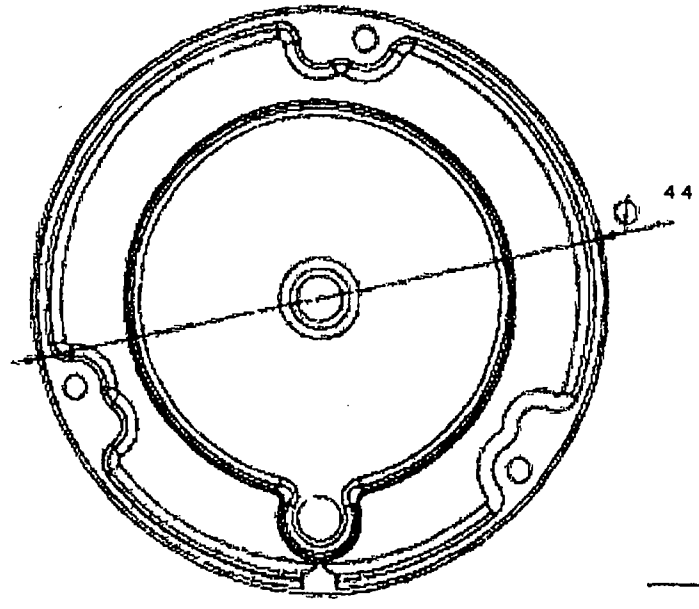
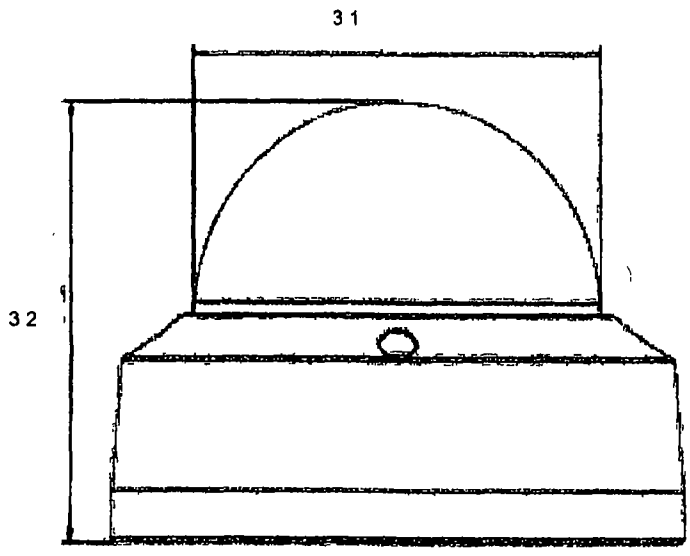
The permit holder agrees to hold the City of Chicago harmless for any damage, relocation or replacement costs associated with damage, relocation or removal of private property caused by the City performing work in the public way.

Authority herein given and granted for a period of five (5) years from and after Date of Passage.

Alderman 

Walter Burnett Jr. 27th Ward

Boelter
1071 W Division St
Security Cameras



Grade