



City of Chicago



O2017-8772

Office of the City Clerk

Document Tracking Sheet

Meeting Date:	12/13/2017
Sponsor(s):	King (4)
Type:	Ordinance
Title:	Grant(s) of privilege in public way for DePaul University
Committee(s) Assignment:	Committee on Transportation and Public Way

ORDINANCE
DE PAUL UNIVERSITY
Acct. No 88297 - 5
Permit No. 1130475

Be It Ordained by the City Council of the City of Chicago:

SECTION 1. Permission and authority are hereby given and granted to DE PAUL UNIVERSITY, upon the terms and subject to the conditions of this ordinance to maintain and use, as now constructed, one (1) Fire Escape(s) projecting over the public right-of-way adjacent to its premises known as 25 E. Jackson Blvd..

Said Fire Escape(s) at public alley measure(s):

One (1) at twenty-one point six (21.6) feet in length, and six (6) feet in width for a total of one hundred twenty-nine point six (129.6) square feet.

The location of said privilege shall be as shown on prints kept on file with the Department of Business Affairs and Consumer Protection and the Office of the City Clerk.

Said privilege shall be constructed in accordance with plans and specifications approved by the Department of Transportation (Division of Project Development).

This grant of privilege in the public way shall be subject to the provisions of Section 10-28-015 and all other required provisions of the Municipal Code of Chicago.

The grantee shall pay to the City of Chicago as compensation for the privilege #1130475 herein granted the sum of four hundred (\$400.00) per annum in advance.

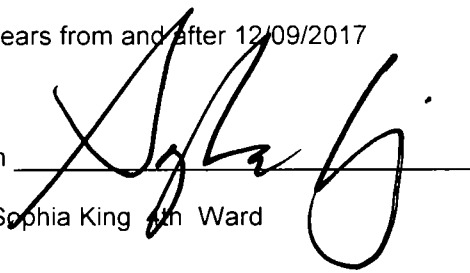
A 25% penalty will be added for payments received after due date.

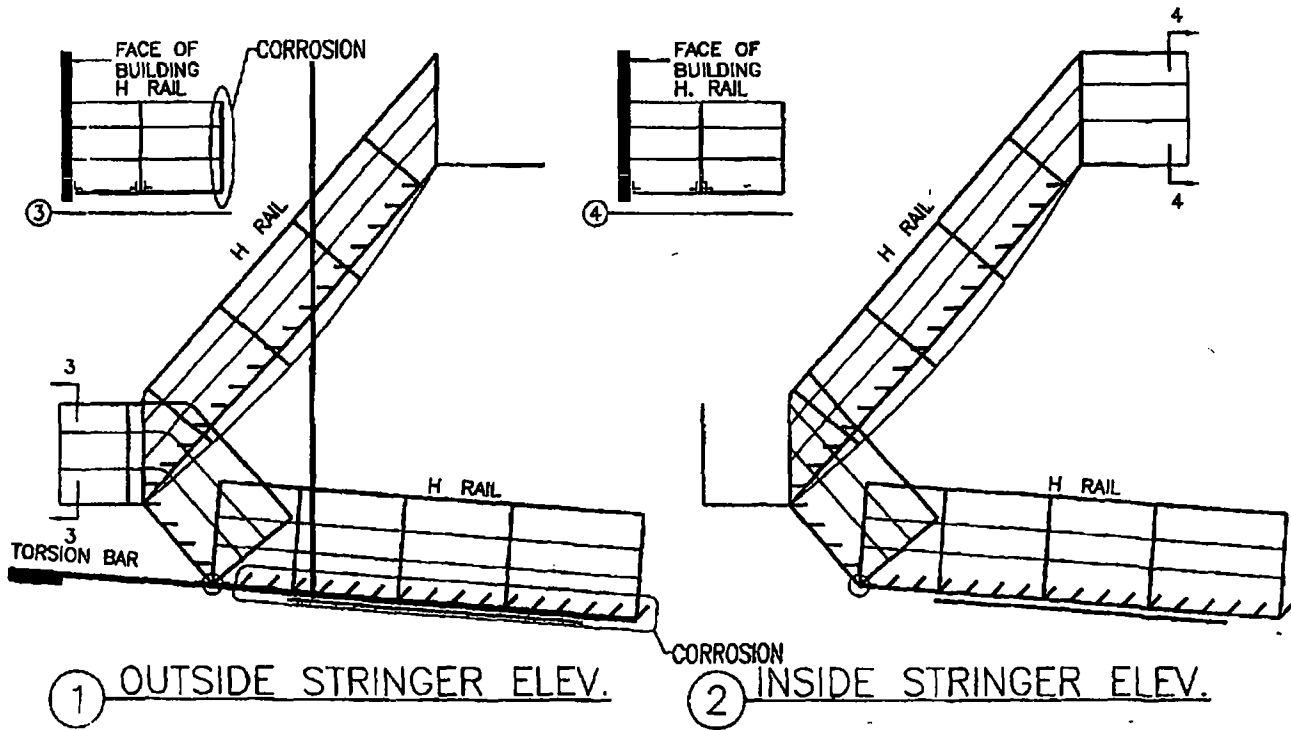
The permit holder agrees to hold the City of Chicago harmless for any damage, relocation or replacement costs associated with damage, relocation or removal of private property caused by the City performing work in the public way.

Authority herein given and granted for a period of five (5) years from and after 12/09/2017

Alderman _____

Sophia King 4th Ward

A large, stylized handwritten signature in black ink, appearing to read 'Sophia King', is written over a horizontal line. The signature is fluid and cursive.



SAMARTANO AND COMPANY
 STRUCTURAL ENGINEERS
 631 NORTH LA Salle STREET
 CHICAGO ILLINOIS
 60611
 312.532.2296

DEPAUL
UNIVERSITY
 25 E. JACKSON STREET
 Chicago, Illinois

FIR# 2ND TO GROUND
 DATE: JUNE 12, 2009
 SCALE: N.T.S



Department of Business Affairs and Consumer Protection
Small Business Center - Public Way Use Unit
City Hall - 121 N LaSalle Street, Room 800 • Chicago, IL 60602
312-74-GOBIZ / 312-744-6249 • (312) 744-1944 (TTY)
<http://www.cityofchicago.org/bacp>

12/13/2017

Alderman Sophia King
Ward # 04
City of Chicago
City Hall, Room 305
121 North LaSalle Street
Chicago, Illinois 60602

Re: An ordinance to use and maintain a portion of the public right-of-way for **one (1) fire escape(s)** for **DE PAUL UNIVERSITY**, adjacent to the premises known as **25 E. Jackson Blvd.**

Dear Alderman **Sophia King**:

The applicant referenced above has requested the use of the public right-of-way for a **fire escape(s)**. An ordinance has been prepared by the Department of Business Affairs and Consumer Protection – Small Business Center - Public Way Use Unit for presentation to the City Council. Because this request was made for properties located in your ward, as approved by you as per the attached, I respectfully request that you introduce the attached ordinance at the next City Council meeting.

If you have any questions regarding this ordinance, please contact Anthony Bertuca at (312) 744-5506.

Department of Business Affairs and Consumer Protection