



City of Chicago



O2018-6742

Office of the City Clerk

Document Tracking Sheet

Meeting Date:	9/13/2018
Sponsor(s):	Hopkins (2)
Type:	Ordinance
Title:	Grant(s) of privilege in public way for Rose Exterminator Co., Inc.
Committee(s) Assignment:	Committee on Transportation and Public Way

Direct Intro
#2

ORDINANCE
ROSE EXTERMINATOR CO INC
Acct. No. 44699 - 1
Permit No. 1131914

Be It Ordained by the City Council of the City of Chicago:

SECTION 1. Permission and authority are hereby given and granted to ROSE EXTERMINATOR CO INC, upon the terms and subject to the conditions of this ordinance to maintain and use one (1) sign(s) projecting over the public right-of-way attached to its premises known as 1809 W. North Ave..

Said sign structure(s) measures as follows; along W. North Avenue:
One (1) at six (6) feet in length, four (4) feet in height and eleven (11) feet above grade level.

The location of said privilege shall be as shown on prints kept on file with the Department of Business Affairs and Consumer Protection and the Office of the City Clerk.

Said privilege shall be constructed in accordance with plans and specifications approved by the Department of Transportation (Division of Project Development) and Zoning Department - Signs.

This grant of privilege in the public way shall be subject to the provisions of Section 10-28-015 and all other required provisions of the Municipal Code of Chicago.

The grantee shall pay to the City of Chicago as compensation for the privilege #1131914 herein granted the sum of one hundred (\$100.00) per annum in advance.

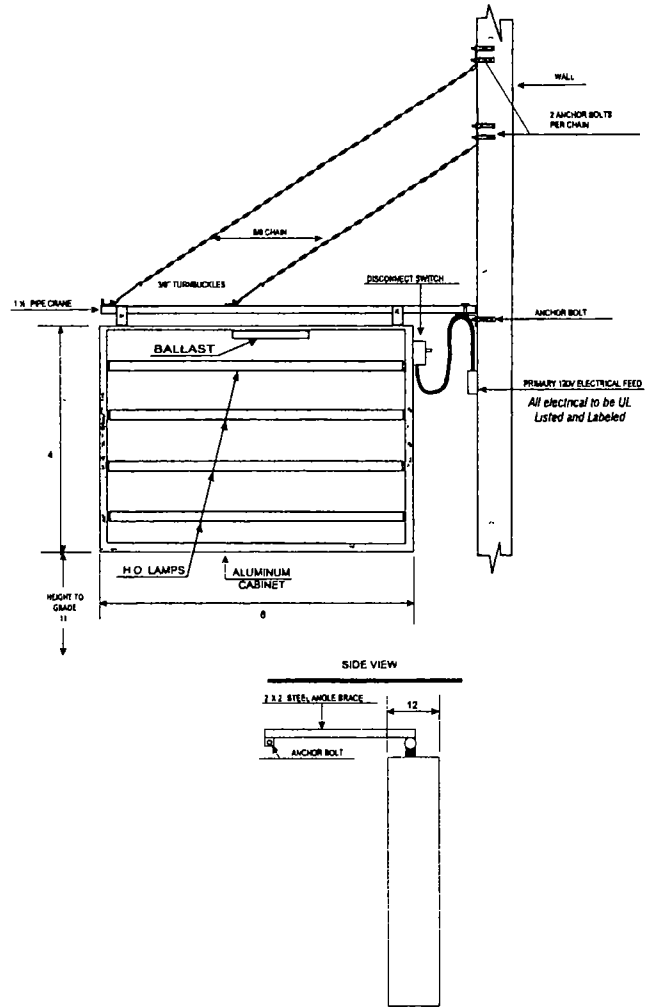
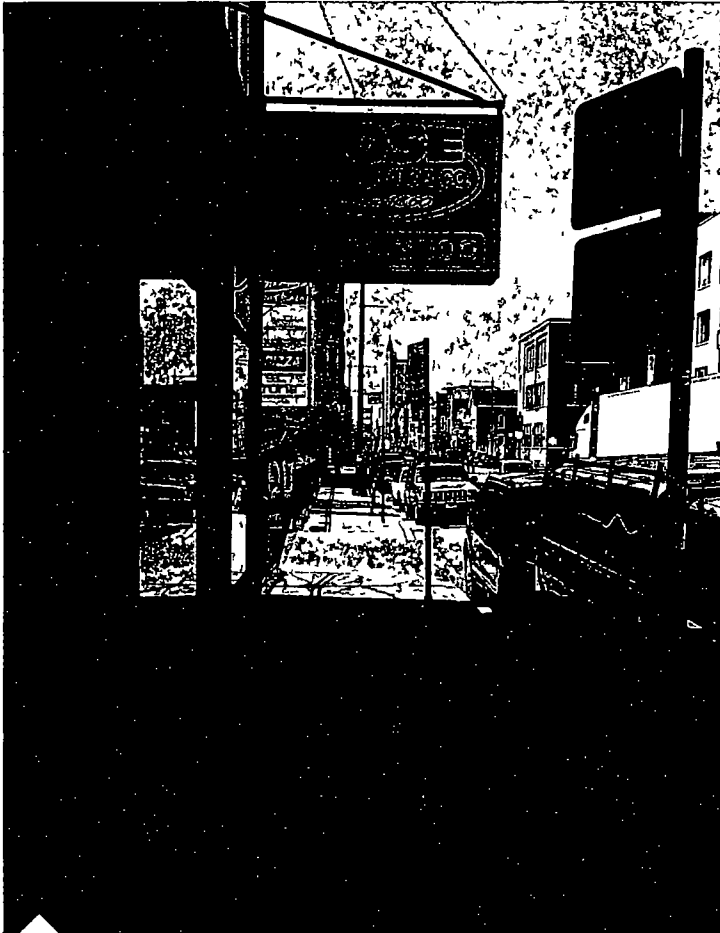
A 25% penalty will be added for payments received after due date.

The permit holder agrees to hold the City of Chicago harmless for any damage, relocation or replacement costs associated with damage, relocation or removal of private property caused by the City performing work in the public way.

Authority herein given and granted for a period of five (5) years from and after Date of Passage.

Alderman _____

Brian Hopkins 2nd Ward



4543 W Addison
Chicago IL 60641
PH 773 736-0800
FAX 773 736-4730

DESCRIPTION	48" X 72" PROJECTION SIGN
CUSTOMER	
CUSTOMER ACCEPTANCE	
	DATE: 10-25-17