



City of Chicago



O2018-8362

Office of the City Clerk

Document Tracking Sheet

Meeting Date:	10/31/2018
Sponsor(s):	Moreno (1)
Type:	Ordinance
Title:	Awning(s) for Vermilion Wicker Park LLC
Committee(s) Assignment:	Committee on Transportation and Public Way

ORDINANCE
VERMILION WICKER PARK LLC
Acct. No. 425249 - 3
Permit No. 1133781

Be It Ordained by the City Council of the City of Chicago:

SECTION 1. Permission and authority are hereby given and granted to VERMILION WICKER PARK LLC, upon the terms and subject to the conditions of this ordinance to construct, install, maintain and use one (1) Awning(s) projecting over the public right-of-way adjacent to its premises known as 1295 N. Milwaukee Ave..

Said Awning(s) at N. MILWAUKEE AVENUE measure(s):

One (1) at fifteen (15) feet in length, and four (4) feet in width for a total of sixty (60) square feet.

The location of said privilege shall be as shown on prints kept on file with the Department of Business Affairs and Consumer Protection and the Office of the City Clerk.

Said privilege shall be constructed in accordance with plans and specifications approved by the Zoning Department - Signs.

This grant of privilege in the public way shall be subject to the provisions of Section 10-28-015 and all other required provisions of the Municipal Code of Chicago.

The grantee shall pay to the City of Chicago as compensation for the privilege #1133781 herein granted the sum of fifty (\$50.00) per annum in advance.

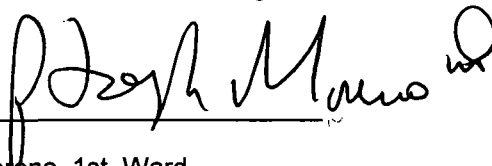
A 25% penalty will be added for payments received after due date.

The permit holder agrees to hold the City of Chicago harmless for any damage, relocation or replacement costs associated with damage, relocation or removal of private property caused by the City performing work in the public way.

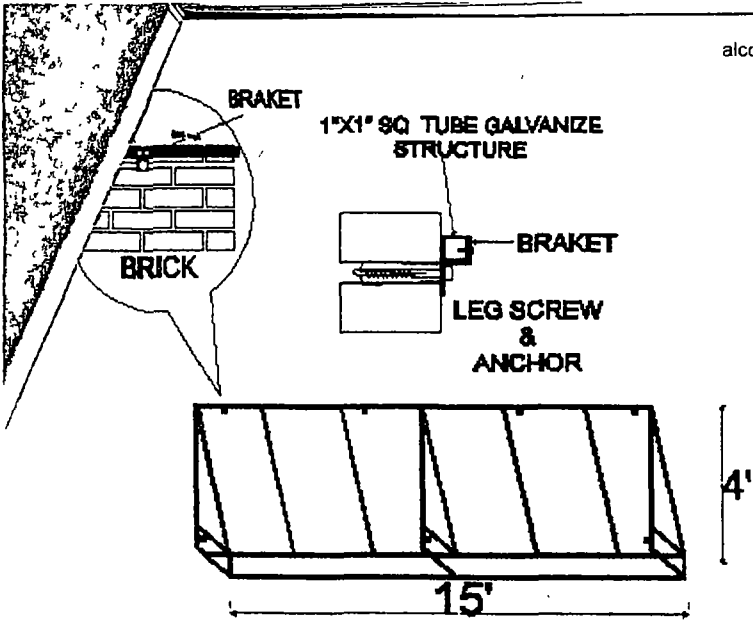
Authority herein given and granted for a period of five (5) years from and after Date of Passage.

Alderman _____

Proco Joe Moreno 1st Ward

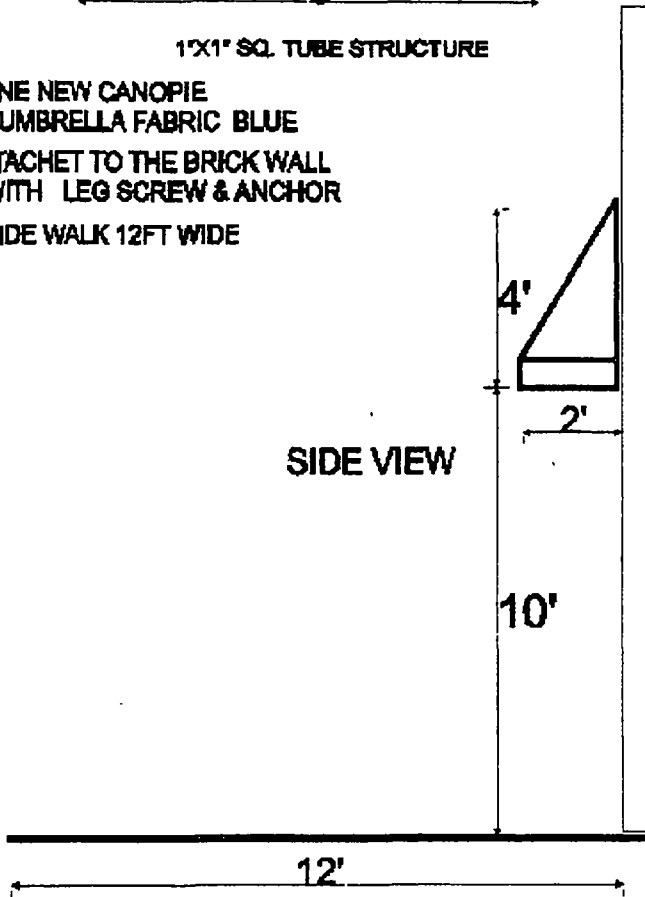
A handwritten signature in black ink, appearing to read "Joe Moreno", is written over a horizontal line. The signature is stylized and includes a small flourish at the end.

alcove drawing 2 JPG



1"X1" SQ. TUBE STRUCTURE

- * ONE NEW CANOPIE SUMBRELLA FABRIC BLUE
- * ATACHET TO THE BRICK WALL WITH LEG SCREW & ANCHOR
- * SIDE WALK 12FT WIDE





10/31/2018

Alderman Proco Joe Moreno
Ward # 01
City of Chicago
City Hall, Room 300
121 North LaSalle Street
Chicago, Illinois 60602

Re: An ordinance to use and maintain a portion of the public right-of-way for **one (1) awning(s)** for **VERMILION WICKER PARK LLC**, adjacent to the premises known as **1295 N. Milwaukee Ave.**.

Dear Alderman **Proco Joe Moreno**:

The applicant referenced above has requested the use of the public right-of-way for a **awning(s)**. An ordinance has been prepared by the Department of Business Affairs and Consumer Protection – Small Business Center - Public Way Use Unit for presentation to the City Council. Because this request was made for properties located in your ward, as approved by you as per the attached, I respectfully request that you introduce the attached ordinance at the next City Council meeting.

If you have any questions regarding this ordinance, please contact Anthony Bertuca at (312) 744-5506.

Department of Business Affairs and Consumer Protection