



# City of Chicago



Or2019-126

Office of the City Clerk

## Document Tracking Sheet

<b>Meeting Date:</b>	3/13/2019
<b>Sponsor(s):</b>	Moreno (1)
<b>Type:</b>	Order
<b>Title:</b>	Issuance of permits for sign(s)/signboard(s) at 1431 N Claremont Ave
<b>Committee(s) Assignment:</b>	Committee on Zoning, Landmarks and Building Standards

CITY COUNCIL  
COMMITTEE ON ZONING, LANDMARKS AND BUILDING STANDARDS

COUNCIL ORDER

RE: Approval of sign over 100 square feet in area or over 24 feet above grade

ORDERED, that the City Council hereby approves the following sign application submitted by:

Applicant\*: Amita Health

(\* The Applicant is the owner of the real property or the business tenant of the real property. Do not list the sign contractor, sign erector, sign company or advertising entity in the above space.)

This Order approves the following sign in accordance with Municipal Code of Chicago Section 13-20-680:

Address of Sign: 1431 N Claremont Ave Chicago, IL 606    

Zoning District: PD12

DOB Sign Permit Application #: \_\_\_\_\_

Sign Details:

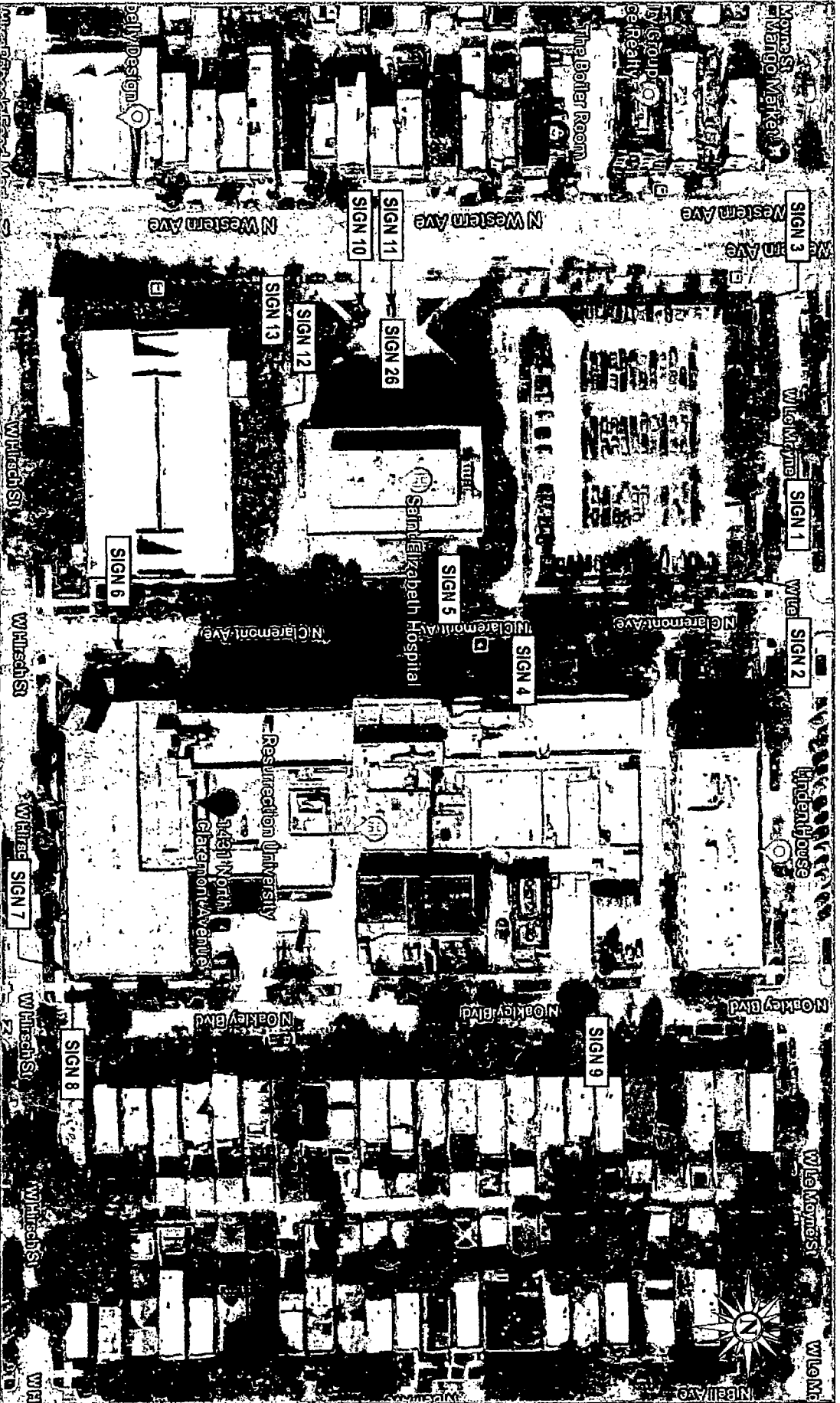
1. On-premise  OR Off-premise \_\_\_\_\_
2. Static sign  OR Dynamic-image display sign \_\_\_\_\_
3. Number of sign faces
4. Projecting over the public way No (Yes or No) If yes, Public Way Use #: \_\_\_\_\_
5. Dimensions: Length 23 feet 10 inches Height 3 feet 6 inches  
Total square feet in area: 83 feet 5 inches
6. Height above grade: 62 feet 6 inches
7. Elevation (side of building or lot where the sign will be erected): North
8. Name of Sign Contractor/Erector: Icon Identity Solutions, Inc.

To be legal, such sign shall comply with all provisions of Title 17 of the Chicago Municipal Code ("Zoning Ordinance") and all other provisions of the Municipal Code governing the permitting, construction and maintenance and removal of signs and sign structures. Failure of the applicant and the applicant's successors to comply shall be grounds for invalidation or revocation of the sign permit.

\_\_\_\_\_  
Alderman

\_\_\_\_\_  
Ward

Site Plan



Drawing prepared by:

Location:

1431 N. Claremont Ave  
Chicago, IL 60622-1702

Plot #:

4059

Lot #:

1011

Order #:

1128141

Drawing prepared for:

**AMITA HEALTH**

Revision #	Req. #	Date	Artist	Revision #	Req. #	Date	Artist	Revision #	Req. #	Date	Artist
Original	306566	12/18/18	IS	Rev 6	000000	00/00/00	XXX	Rev 12	000000	00/00/00	XXX
Rev 1	306381	01/23/19	IS	Rev 7	000000	00/00/00	XXX	Rev 13	000000	00/00/00	XXX
Rev 2	000000	00/00/00	XXX	Rev 8	000000	00/00/00	XXX	Rev 14	000000	00/00/00	XXX
Rev 3	000000	00/00/00	XXX	Rev 9	000000	00/00/00	XXX	Rev 15	000000	00/00/00	XXX
Rev 4	000000	00/00/00	XXX	Rev 10	000000	00/00/00	XXX	Rev 16	000000	00/00/00	XXX
Rev 5	000000	00/00/00	XXX	Rev 11	000000	00/00/00	XXX	Rev 17	000000	00/00/00	XXX

Drawings are the exclusive property of ICON. Any unauthorized use or duplication is not permitted. Pg. 1

**ICON**

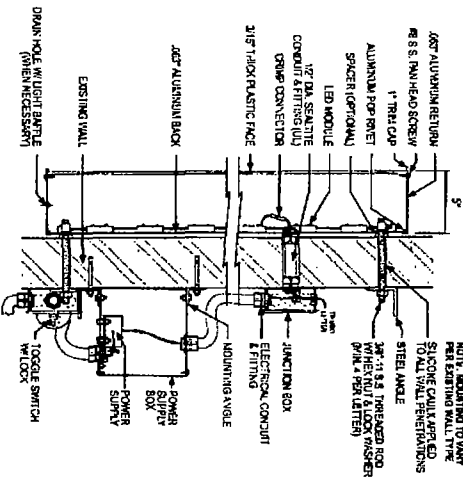
**AMITA HEALTH**

"FIELD VERIFY - DO NOT MANUFACTURE FROM THIS DRAWING UNLESS THIS LABEL HAS BEEN REMOVED"

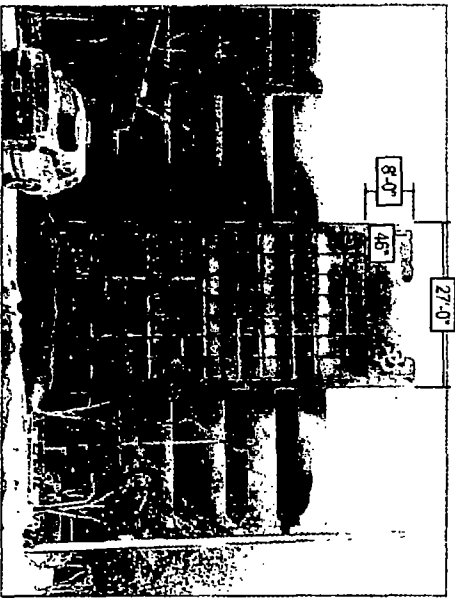
Proposed Signage

13	1	ILLUMINATED Channel Letters	83.5
----	---	-----------------------------	------

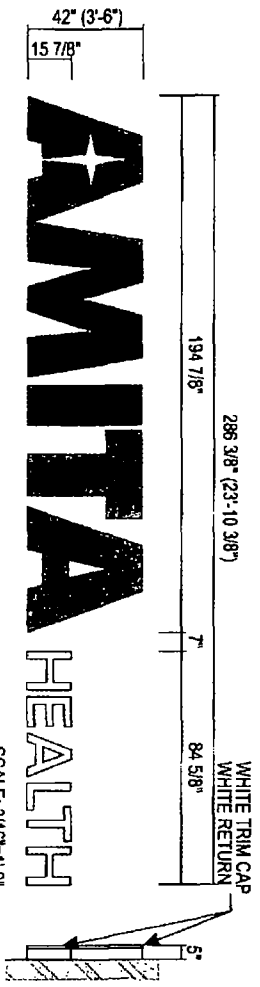
NOTES:  
Remove existing.  
Patch all wall penetrations to match building color.



TYPICAL SECTION - RACEWAY MOUNTED FACE LT LETTERS



Existing



WALL TYPE	CMU, BRICK	PRE-CAST CONCRETE, CONCRETE	WOOD, CONCRETE BLOCK, EIFS WALL SYSTEMS	EIFS WALL W/ FOAM INSULATION	GLASS WHITE SHEATHING PLYWOOD
SECTION					
ANCHOR TYPE	3/16\"/>				

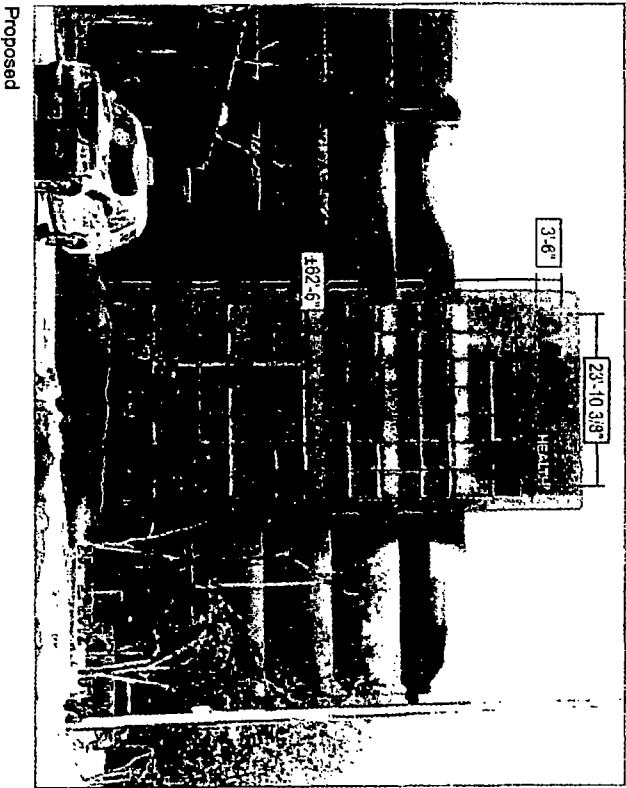
Drawing prepared by: Location: 1431 N Claremont Ave Chicago, IL 60622-1702  
 Drawing prepared for: Order #: 1128141

**ICON**

Proj #: 4059 Loc #: 1011 Order #: 1128141

File Path: K:\client\ACCOUNTS\Amita Health\Project 4400\_PC\MCLocation\4059-1011\_Chicago\_IL\_R1

**AMITA HEALTH**



Proposed

Revision #	Req. #	Date	Artist	Revision #	Req. #	Date	Artist	Revision #	Req. #	Date	Artist
Original	306566	12/18/18	IS	Rev 5	000000	00/00/00	XXX	Rev 12	000000	00/00/00	XXX
Rev 1	308381	01/23/19	XXX	Rev 7	000000	00/00/00	XXX	Rev 13	000000	00/00/00	XXX
Rev 2	000000	00/00/00	XXX	Rev 8	000000	00/00/00	XXX	Rev 14	000000	00/00/00	XXX
Rev 3	000000	00/00/00	XXX	Rev 9	000000	00/00/00	XXX	Rev 15	000000	00/00/00	XXX
Rev 4	000000	00/00/00	XXX	Rev 10	000000	00/00/00	XXX	Rev 16	000000	00/00/00	XXX
Rev 5	000000	00/00/00	XXX	Rev 11	000000	00/00/00	XXX	Rev 17	000000	00/00/00	XXX