



City of Chicago



O2019-2867

Office of the City Clerk

Document Tracking Sheet

Meeting Date:	4/10/2019
Sponsor(s):	Solis (25)
Type:	Ordinance
Title:	Awning(s) for Tbaar
Committee(s) Assignment:	Committee on Transportation and Public Way

ORDINANCE
TBAAR
Acct. No. 408177 - 1
Permit No. 1138627

Be It Ordained by the City Council of the City of Chicago:

SECTION 1. Permission and authority are hereby given and granted to TBAAR, upon the terms and subject to the conditions of this ordinance to construct, install, maintain and use two (2) Awning(s) projecting over the public right-of-way adjacent to its premises known as 2234 S. Wentworth Ave..

Said Awning(s) at S. Wentworth Avenue measure(s):

One (1) at ten (10) feet in length, and one (1) foot in width for a total of ten (10) square feet.

One (1) at six point eight three (6.83) feet in length, and one (1) foot in width for a total of six point eight three (6.83) square feet.

The location of said privilege shall be as shown on prints kept on file with the Department of Business Affairs and Consumer Protection and the Office of the City Clerk.

Said privilege shall be constructed in accordance with plans and specifications approved by the Zoning Department - Signs.


This grant of privilege in the public way shall be subject to the provisions of Section 10-28-015 and all other required provisions of the Municipal Code of Chicago.

The grantee shall pay to the City of Chicago as compensation for the privilege #1138627 herein granted the sum of one hundred (\$100.00) per annum in advance.

A 25% penalty will be added for payments received after due date.

The permit holder agrees to hold the City of Chicago harmless for any damage, relocation or replacement costs associated with damage, relocation or removal of private property caused by the City performing work in the public way.

Authority herein given and granted for a period of five (5) years from and after Date of Passage.

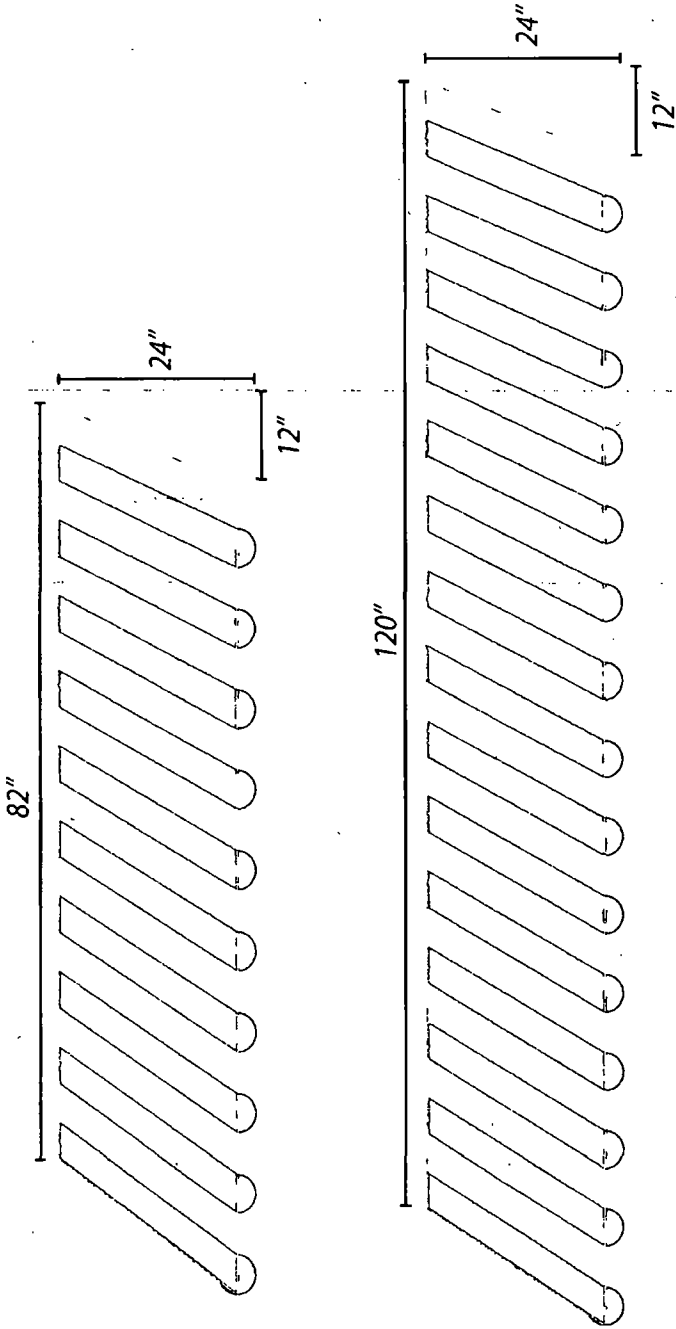
Alderman 

Daniel S. Solis 25th Ward



Athena Design Group
 3500 S Morgan Street, Chicago, IL 60609 | Tel 773-254-2828 | Fax 773-254-2822 | E-mail adg@3228.com

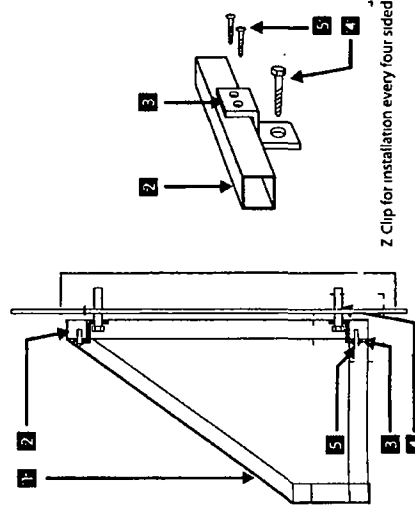
AWNING SIGN



SPECIFICATIONS

- 1 Awning Fabric Material
- 2 1 X 1 Square Tube Frame
- 3 3/16 Galvanized Steel Z Clip Attachment
- 4 Appropriate Non corrosive Wall Fastener (See Mounting Option Details)
- 5 # 12 Tek Screw

SIDE SECTION VIEW



COLOR SCHEDULE

IVORY

YELLOW

MOUNTING OPTION DETAIL

	Thru Bolt Mounting
	Hanger Bolts
	Reverse Toggle Bolt Mounting
	Masonry Lag Bolt Mounting

Tbaar

Sign Elevation Exhibit

Address 2234 S Wentworth Ave
 City Chicago
 State IL 60616
 Account Rep
 Sales Rep
 APPROVALS
 CLIENT
 DESIGN
 PROD
 Designer
 Design No
 DATE 04 04 2018
 Rev Date

The person who holds the permit is responsible for the accuracy of the information provided to the permittee. The permittee is responsible for the accuracy of the information provided to the permittee.



04/10/2019

Alderman **Daniel S. Solis**
Ward # **25**
City of Chicago
City Hall, Room **304**
121 North LaSalle Street
Chicago, Illinois 60602

Re: An ordinance to use and maintain a portion of the public right-of-way for **two (2) awning(s)** for **TBAAR**, adjacent to the premises known as **2234 S. Wentworth Ave.**.

Dear Alderman **Daniel S. Solis**:

The applicant referenced above has requested the use of the public right-of-way for a **awning(s)**. An ordinance has been prepared by the Department of Business Affairs and Consumer Protection – Small Business Center - Public Way Use Unit for presentation to the City Council. Because this request was made for properties located in your ward, as approved by you as per the attached, I respectfully request that you introduce the attached ordinance at the next City Council meeting.

If you have any questions regarding this ordinance, please contact Anthony Bertuca at (312) 744-5506.

Department of Business Affairs and Consumer Protection