



City of Chicago



O2019-4420

Office of the City Clerk

Document Tracking Sheet

Meeting Date:	6/12/2019
Sponsor(s):	Dowell (3)
Type:	Ordinance
Title:	Grant(s) of privilege in public way for Chicago's Home of Chicken & Waffles
Committee(s) Assignment:	Committee on Transportation and Public Way

ORDINANCE
CHICAGO'S HOME OF CHICKEN & WAFFLES
Acct. No. 307974 - 1
Permit No. 1140867

Be It Ordained by the City Council of the City of Chicago:

SECTION 1. Permission and authority are hereby given and granted to CHICAGO'S HOME OF CHICKEN & WAFFLES, upon the terms and subject to the conditions of this ordinance to maintain and use, as now constructed, two (2) Wind Screen(s) on the public right-of-way adjacent to its premises known as 3947 S. Dr Martin Luther King Jr Dr..

Said Wind Screen(s) at S. King Dr. measure(s):

One (1) at five point five (5.5) feet in length, and six (6) feet in width for a total of thirty-three (33) square feet.

One (1) at six (6) feet in length, and six (6) feet in width for a total of thirty-six (36) square feet.

The location of said privilege shall be as shown on prints kept on file with the Department of Business Affairs and Consumer Protection and the Office of the City Clerk.

Said privilege shall be constructed in accordance with plans and specifications approved by the Department of Transportation (Division of Project Development).

This grant of privilege in the public way shall be subject to the provisions of Section 10-28-015 and all other required provisions of the Municipal Code of Chicago.


The grantee shall pay to the City of Chicago as compensation for the privilege #1140867 herein granted the sum of eight hundred (\$800.00) per annum in advance.

A 25% penalty will be added for payments received after due date.

The permit holder agrees to hold the City of Chicago harmless for any damage, relocation or replacement costs associated with damage, relocation or removal of private property caused by the City performing work in the public way.

Authority herein given and granted for a period of five (5) years from and after 06/11/2018.

Alderman



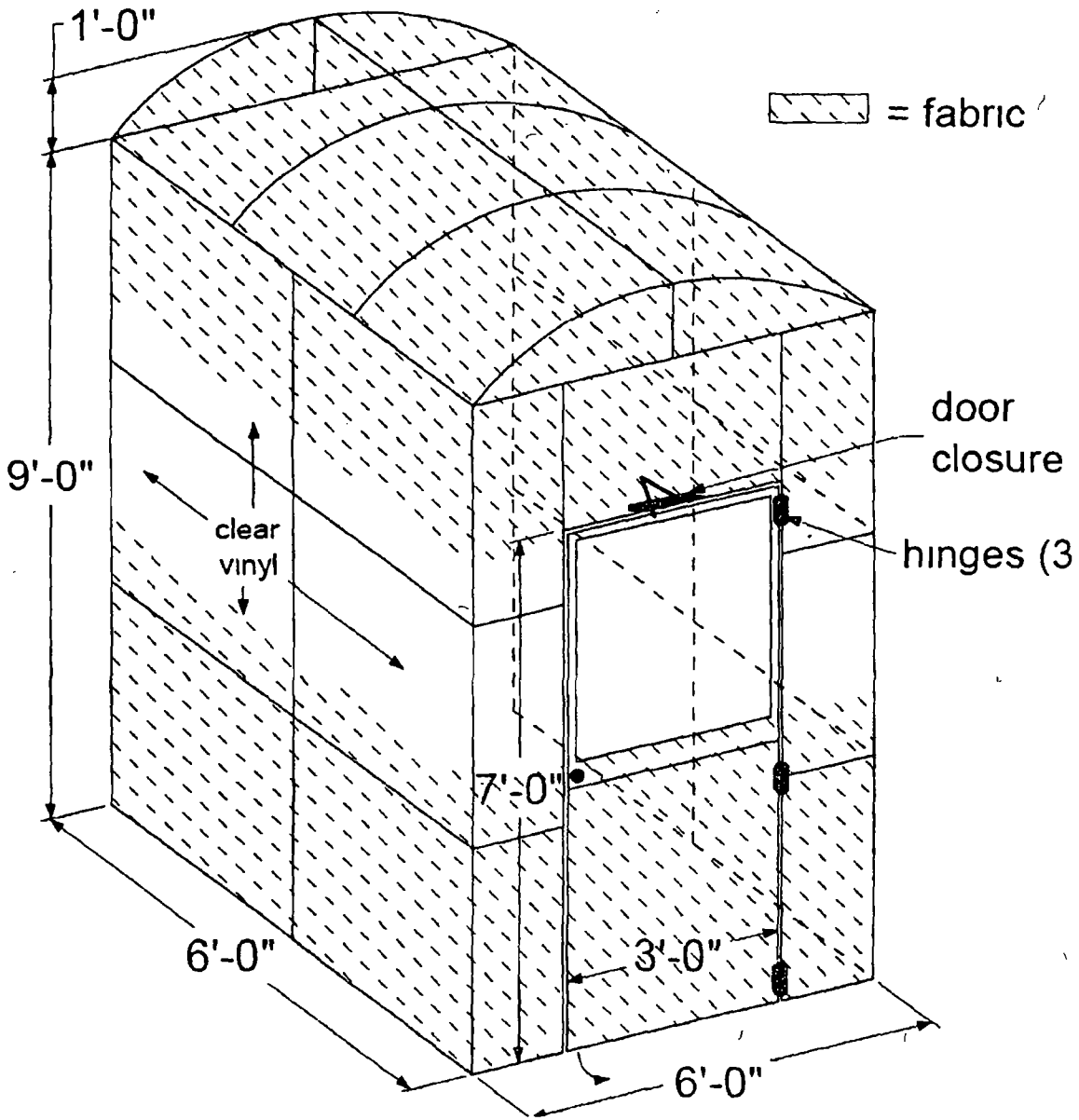
Pat Dowell 3rd Ward

JOB # 714146
ROSSCOE'S REST

ISO VIEW
'outside looking at

NOTES

- ALUM STAPLE FRAME (1)
- GALV STAPLE FRAME (1 DOOR)
- 1" & 1"x 2" TUBING, WELDED
- SILVER FINISH





06/12/2019

Alderman **Pat Dowell**
Ward # **03**
City of Chicago
City Hall, Room 200
121 North LaSalle Street
Chicago, Illinois 60602

Re: An ordinance to use and maintain a portion of the public right-of-way for **two (2) wind screen(s)** for **CHICAGO'S HOME OF CHICKEN & WAFFLES**, adjacent to the premises known as **3947 S. Dr Martin Luther King Jr Dr.**

Dear Alderman **Pat Dowell**:

The applicant referenced above has requested the use of the public right-of-way for a **wind screen(s)**. An ordinance has been prepared by the Department of Business Affairs and Consumer Protection – Small Business Center - Public Way Use Unit for presentation to the City Council. Because this request was made for properties located in your ward, as approved by you as per the attached, I respectfully request that you introduce the attached ordinance at the next City Council meeting.

If you have any questions regarding this ordinance, please contact Anthony Bertuca at (312) 744-5506.

Department of Business Affairs and Consumer Protection