



City of Chicago



O2019-8060

Office of the City Clerk

Document Tracking Sheet

Meeting Date:	10/16/2019
Sponsor(s):	La Spata (1)
Type:	Ordinance
Title:	Awning(s) for Wonder Chop
Committee(s) Assignment:	Committee on Transportation and Public Way

ORDINANCE
WONDER CHOP
Acct No. 461486 - 1
Permit No. 1141895

Be It Ordained by the City Council of the City of Chicago:

SECTION 1. Permission and authority are hereby given and granted to WONDER CHOP, upon the terms and subject to the conditions of this ordinance to construct, install, maintain and use one (1) Awning(s) projecting over the public right-of-way adjacent to its premises known as 2418 W. Fullerton Ave..

Said Awning(s) at W. FULLERTON AVENUE measure(s):

One (1) at twenty-four (24) feet in length, and four (4) feet in width for a total of ninety-six (96) square feet.

The location of said privilege shall be as shown on prints kept on file with the Department of Business Affairs and Consumer Protection and the Office of the City Clerk.

Said privilege shall be constructed in accordance with plans and specifications approved by the Zoning Department - Signs.

This grant of privilege in the public way shall be subject to the provisions of Section 10-28-015 and all other required provisions of the Municipal Code of Chicago.

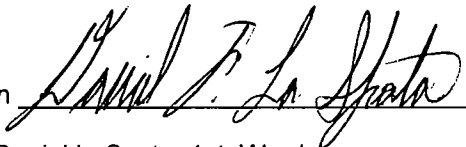
The grantee shall pay to the City of Chicago as compensation for the privilege #1141895 herein granted the sum of fifty (\$50.00) per annum in advance.

A 25% penalty will be added for payments received after due date.

The permit holder agrees to hold the City of Chicago harmless for any damage, relocation or replacement costs associated with damage, relocation or removal of private property caused by the City performing work in the public way.

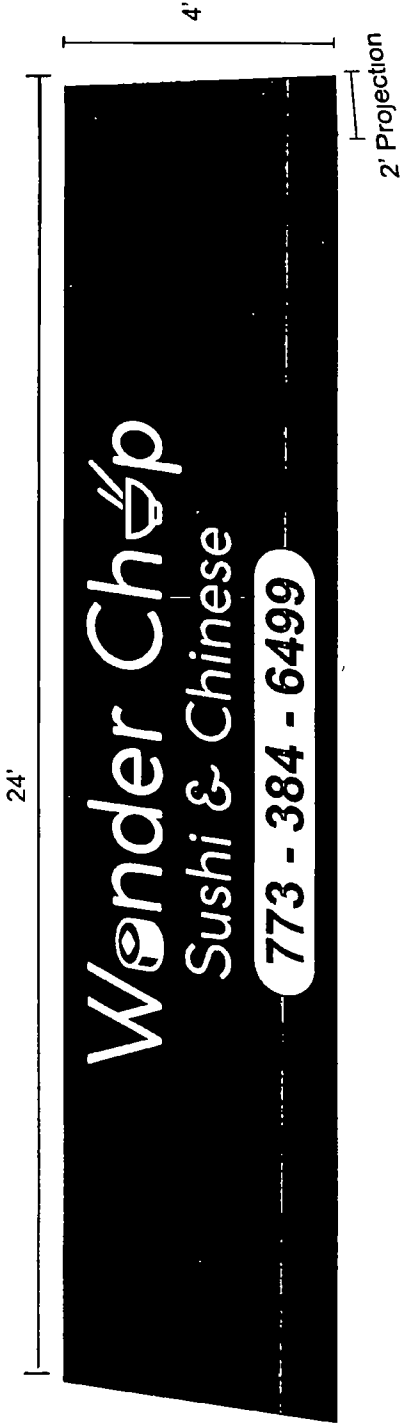
Authority herein given and granted for a period of five (5) years from and after Date of Passage.

Alderman



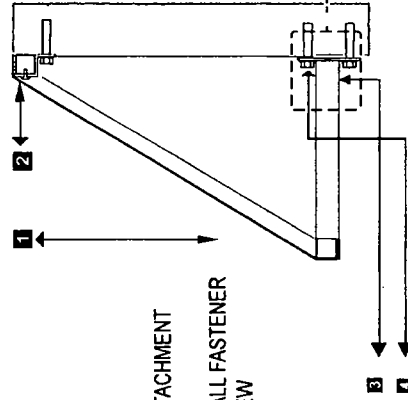
Daniel LaSpata 1st Ward

SIGN 1: AWNING



SPECIFICATIONS

- 1** AWNING FABRIC MATERIAL
- 2** 1 X 1 SQUARE TUBE FRAME
- 3** 3/16 GALVANIZED STEEL Z CLIP ATTACHMENT
- 4** APPROPRIATE NON CORROSIVE WALL FASTENER
3/8 IN ZINC PLATED HEX LAG SCREW
SPACING EACH 4 FT
SEE MOUNTING OPTION DETAILS
- 5** #12 TEK SCREW

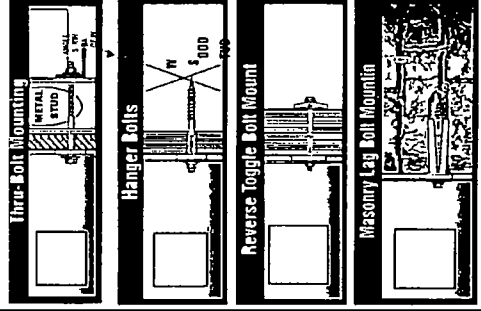


NOTE Color output may not be exact when viewing or printing this drawing. All colors used are PMS or the closest CMYK

COLOR SCHEDULE

- AWNING Burgandy**
- GRAPHIC**

MOUNTING DETAIL



NOTE Elevation drawings are for customer approval only, drawings are not to be used as any installation guide all dimensions must be verified before installation

	Client Name Location 2418 W Fullerton Ave Chicago IL 60647	Start Date 8 7 2019 Last Revision Job# Drawing# Page 4/5	Client Approval Landlord Approval	Sales Rep kw Designer ML
	ALL DESIGNS PRESENTED ARE THE SOLE PROPERTY OF MONSIBIC INC. AND MAY NOT BE REPRODUCED IN PART OR WHOLE WITHOUT WRITTEN PERMISSION FROM MONSIBIC INC.			



Department of Business Affairs and Consumer Protection
Small Business Center - Public Way Use Unit
City Hall - 121 N LaSalle Street, Room 800 • Chicago, IL 60602
312-74-GOBIZ / 312-744-6249 • (312) 744-1944 (TTY)
<http://www.cityofchicago.org/bacp>

10/16/2019

Alderman **Daniel LaSpata**
Ward # **01**
City of Chicago
City Hall, Room **300**
121 North LaSalle Street
Chicago, Illinois 60602

Re: An ordinance to use and maintain a portion of the public right-of-way for **one (1) awning(s)** for **WONDER CHOP**, adjacent to the premises known as **2418 W. Fullerton Ave.**.

Dear Alderman **Daniel LaSpata**:

The applicant referenced above has requested the use of the public right-of-way for a **awning(s)**. An ordinance has been prepared by the Department of Business Affairs and Consumer Protection – Small Business Center - Public Way Use Unit for presentation to the City Council. Because this request was made for properties located in your ward, as approved by you as per the attached, I respectfully request that you introduce the attached ordinance at the next City Council meeting.

If you have any questions regarding this ordinance, please contact Anthony Bertuca at (312) 744-5506.

Department of Business Affairs and Consumer Protection