



# Office of the City Clerk

City Hall  
 121 N. LaSalle St.  
 Room 107  
 Chicago, IL 60602  
 www.chicityclerk.com

## Legislation Details (With Text)

**File #:** O2012-7372  
**Type:** Ordinance **Status:** Passed  
**File created:** 10/31/2012 **In control:** City Council  
**Final action:** 12/12/2012

**Title:** Awning(s) for Seea Food Mexican Restaurant  
**Sponsors:** Cardenas, George A.  
**Indexes:** Awnings  
**Attachments:** 1. O2012-7372.pdf

Date	Ver.	Action By	Action	Result
12/12/2012	1	City Council	Passed	Pass
12/4/2012	1	Committee on Transportation and Public Way	Recommended to Pass	Pass
10/31/2012	1	City Council	Referred	

ORDINANCE  
 SEEA FOOD MEXICAN RESTAURANT  
 Acct. No. 286725 t 1 Permit No. 1103364

*Be It Ordained by the City Council of the City of Chicago:*

SECTION 1. Permission and authority are hereby given and granted to SEEA FOOD MEXICAN RESTAURANT, upon the terms and subject to the conditions of this ordinance to maintain and use, as now constructed, three (3) Awning(s) projecting over the public right-of-way adjacent to its premises known as 3752 S. Kedzie Ave..

Said Awning(s) at N. Kedzie Avenue measure(s):

One (1) at seventeen point eight three (17.83) feet in length, and two (2) feet in width for a total of thirty-five point six six (35.66) square feet.

One (1) at seventeen point six seven (17.67) feet in length, and two (2) feet in width for a total of thirty-five point three four (35.34) square feet.

Said Awning(s) at W. 38th Street measure(s):

One (1) at seven point seven five (7.75) feet in length, and two (2) feet in width for a total of fifteen point five (15.5) square feet.

The location of said privilege shall be as shown on prints kept on file with the Department of Business Affairs and Consumer Protection and the Office of the City Clerk.

Said privilege shall be constructed in accordance with plans and specifications approved by the Zoning Department - Signs.

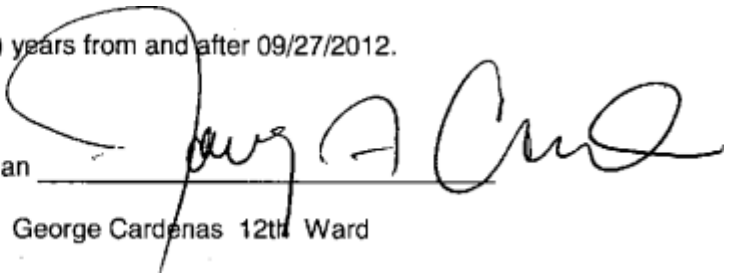
This grant of privilege in the public way shall be subject to the provisions of Section 10-28-015 and all other required provisions of the Municipal Code of Chicago.

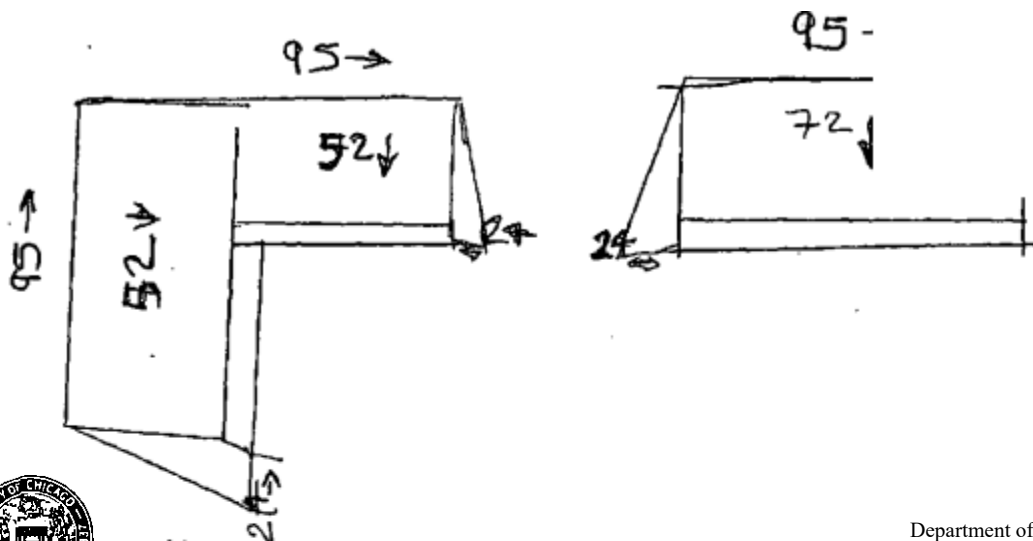
The grantee shall pay to the City of Chicago as compensation for the privilege #1103364 herein granted the sum of one hundred fifty (\$150.00) per annum in advance.

A 25% penalty will be added for payments received after due date.

The permit holder agrees to hold the City of Chicago harmless for any damage, relocation or replacement costs associated with damage, relocation or removal of private property caused by the City performing work in the public way.

Authority herein given and granted for a period of five (5) years from and after 09/27/2012.

Alderman   
George Cardenas 12th Ward



Department of Business Affairs and Consumer Protection  
Assistance Center - Public Way Use Unit City Hall - 121 N. LaSalle Street, Room 800 • Chicago, IL 60602 (312)-74-GOBIZ (312-744-6249) • (312) 744-1944 (TTY) <http://www.cityofchicago.org/bacp>

10/31/2012

Alderman George Cardenas Ward # 12 City of Chicago City Hall, Room 203 121 North LaSalle Street Chicago, Illinois 60602

**Re: An ordinance to use and maintain a portion of the public right-of-way for three (3) awning(s) for SEEA FOOD MEXICAN RESTAURANT, adjacent to the premises known as 3752 S. Kedzie Ave..**

**Dear Alderman George Cardenas:**

The applicant referenced above has requested the use of the public right-of-way for a awning(s). An ordinance has been prepared by the Department of Business Affairs and Consumer Protection - Business Assistance Center - Public Way Use Unit for presentation to the City Council. Because this request was made for properties located in your ward, as approved by you as per the attached, I respectfully request that you introduce the attached ordinance at the next City Council meeting.

If you have any questions regarding this ordinance, please contact Anthony Bertuca at (312) 744-5506.

**Department of Business Affairs and Consumer Protection**