



Office of the City Clerk

City Hall
121 N. LaSalle St.
Room 107
Chicago, IL 60602
www.chicityclerk.com

Legislation Details (With Text)

File #: Or2019-94
Type: Order **Status:** Passed
File created: 3/13/2019 **In control:** City Council
Final action: 4/10/2019
Title: Issuance of permits for sign(s)/signboard(s) at 3910 W Ogden Ave - 136 sq. ft.
Sponsors: Scott, Jr. Michael
Indexes: SIGNS/SIGNBOARDS
Attachments:

Date	Ver.	Action By	Action	Result
4/10/2019	1	City Council	Passed	Pass
4/9/2019	1	Committee on Zoning, Landmarks and Building Standards	Recommended to Pass	
3/13/2019	1	City Council	Referred	

**CITY COUNCIL
 COMMITTEE ON ZONING, LANDMARKS AND BUILDING STANDARDS**

COUNCIL ORDER

RE: Approval of sign over 100 square feet in area or over 24 feet above grade ORDERED, that the City

Council hereby approves the following sign application submitted by:

Applicant*: Joseph Lesch (Lawndale Christian Health Center)

(* The Applicant is the owner of the real property, or the business tenant of the real property. Do not list the sign contractor, sign erector, sign company or advertising entity in the above space.)

This Order approves the following sign in accordance with Municipal Code of Chicago Section 13-20-680:

Address of Sign: 3910W. Ogden Ave.

Chicago, IL 606

Zoning District: C2-2

DOB Sign Permit Application #: 100800545

Sign Details:

1. On-premise X OR Off-premise.

2. Static sign A OR Dynamic-image display sign

3. Number of sign faces 1

4. Projecting over the public way ^v (Yes or No) If yes, Public Way Use #:.

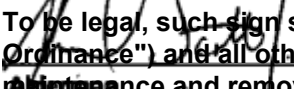
5. Dimensions: Length 45 feet 4 inches Height 3 feet 0 inches Total square feet in area:
136 feet 0 inches

6. Height above grade: 12 feet 0 inches

7. Elevation (side of building or lot where the sign will be erected): _

8. Name of Sign Contractor/Erector:

Comet Neon, Inc.

 To be legal, such sign shall comply with all provisions of Title 17 of the Chicago Municipal Code ("Zoning Ordinance") and all other provisions of the Municipal Code governing the permitting, construction and maintenance and removal of signs and sign structures. Failure of the applicant and the applicant's successors to comply shall be grounds for invalidation or revocation of the sign permit.

-2f

Ward

PUBLIC WAY USE UNIT: PERMIT INFORMATION SHEET

02/06/2019 -Sunny Choi

<u>DBA Name</u>	<u>LAWNDALE CHRISTIAN HEALTH CENTER</u>
Location	3910 W. OGDEN AVE. .
<u>Zip Code</u>	<u>60623</u>
<u>Account Number</u>	<u>30191</u>
Site Number	6
<u>Area</u>	<u>PERMIT</u>
<u>Permit Type</u>	<u>SIGN</u>
Permit Number	- 1138216 -

Next steps: Department of Buildings - Permit process for signs

Your Public Way Use permit number is shown above. This number is to be used for each item on your DOB application and is needed for the Buildings (DOB) online sign application located @ www.cityofchicago.org/buildings. All signs, canopies, banners, marquees and awnings require a buildings permit. Only a licensed sign erector may apply for the Buildings permit online. The Buildings permit application will ask for the Public Way Use permit number supplied above. For additional information please contact the Buildings Department at (312) 744-3400.

Please return the completed Public Way Use application to City Hall -121 N. LaSalle Street, Chicago, IL 60602 Room 800. The completed application package must include a copy of the completed DOB application and the Public Way Use application. The Public Way Use application must contain the Alderman's signature, site plans on 8 1/2 X 11 paper, photos of the item(s), the signed Acceptance letter and a copy of the insurance certificate. For additional information please contact BACP at 312-74-GOBIZ / 312-744-6249.

-cvt

lis

tu
i i u

5 Ci | 2:

"o f

5 C <-> u ■ » <=

-o. c, > u

■g?-l:|5-

o <- o. Q. -r-

c o)

II

cn in

P

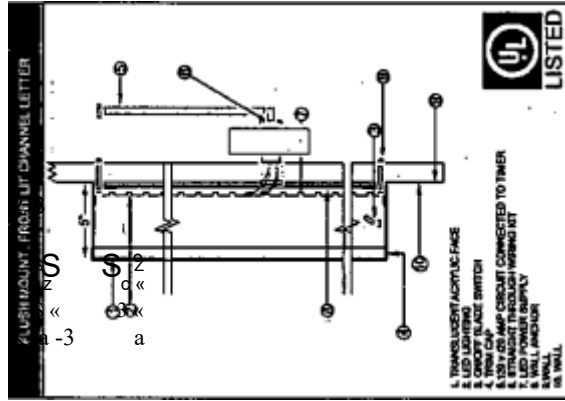
p

fist

q. q. <

>
S

Q: T3



LU

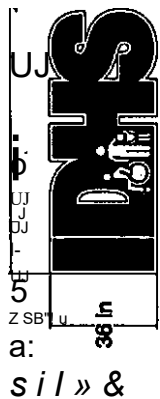
51

a, m To
c *; % re
ro _ J
ai E
at
c ai ■ a

o 3

c o

3
9



O

I

o

-OS

O

